

LED Tunnel Light - HeatSink (SF Series)

Modular Design for Easy Product Line Expansion and Maintenance

The modular design allows different combination of single modules for different applications and also easy for replacement and maintenance.

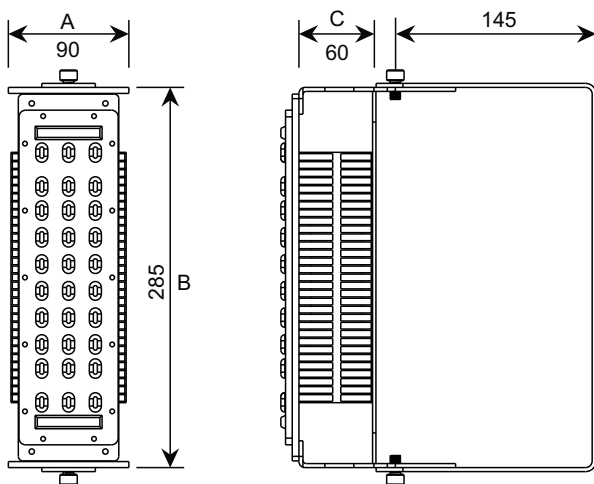


Patented Fins Insertion Technologies

These AL1050 fins tightly inserted into AL 6063 heat sink base help conduct the heat faster due to minimum thermal resistance by gaps between fins and heat sink base.

IP65 Rated Ingress Protection

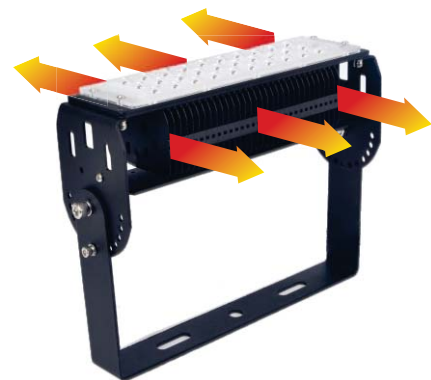
Dimension



SF1050 (unit: mm)

Heat Dissipation Sketch

The perfect combination of heat dissipation and thermal conduction. 3D type radiator which is formed from cooling modules and fin ducts can greatly lower down the temperature of light source, extending its life span.

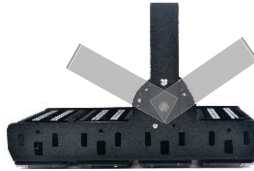


Product Features



High Performance Thermal Design

The integrated AL6063 heat sink base & 2 side protection plates design maximizes the contact surface area for heat conduction and convection.



Adjustable Multiple Angles Mounting Brackets

The heat sink assembly's mounting brackets have 13 holes to adjust to the desired mounting angle (up to 180°) for LED light installation conveniences.



Patented Fins Insertion Technologies

These AL1050 fins tightly inserted into AL 6063 heat sink base help conduct the heat faster due to minimum thermal resistance by gaps between fins and heat sink base.



Great Variety Beam Angle Options

Multiple choice of great variety of LED SMD arrays and beam angles.

Application

Product Application: roads, railways, subways, tunnels and other underground passageway lighting, city streets, bridges, sidewalks and other road lighting, but also for the urban landscape, billboards, building facades and other landscape lighting.



50W



100W



150W



200W

Model Number	Power (W)	Size (mm)	PCB Size (mm)	Chip Model	Multiple-series Connection	Max. Temperature	Beam Angle
SF1050	50W	A:90xB:285xC:60	222x52	XTE	10S 3P	≅ 50°	60°x 60° 90°x 90° 60°x 150°
SF1100	100W	A:180xB:285xC:60	222x52	XTE	6S 8P	≅ 50°	
SF1150	150W	A:270xB:285xC:60	222x52	XTE	12S 4P	≅ 50°	
SF1200	200W	A:360xB:285xC:60	222x52	XTE	10S 3P	≅ 50°	
SF1300	300W	A:270xB:570xC:60	222x52	XTE	12S 4P	≅ 50°	
SF1400	400W	A:360xB:570xC:60	222x52	XTE	10S 3P	≅ 50°	

※ The above parameters are for reference only, ultimately you have to refer to the physical specification issued by the Company.

※ All the products are supplied in kits which does not include power and lamp beads.