

LED Flood Light - HeatSink (FF Series)

High Reflectivity Pure Aluminum Reflector

Pure aluminum (AL 99.80%) provides much better reflectivity, anti-oxidation, and anti-color fading effects.

200W



Tempered Glass Cover

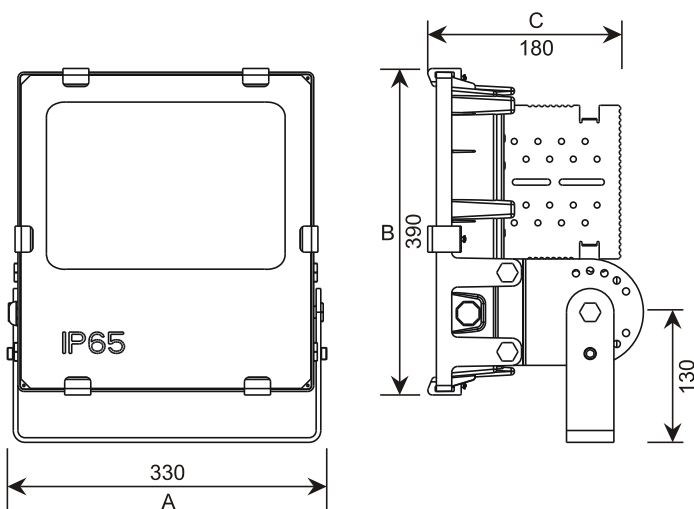
The 4mm thick tempered glass cover provides strong resistance to heat and impact and ensures operation safety. The tempered glass cover also supply better than industry average light transmittance rate over 91% maximum.

Lampshade Respirator Design

The lampshade respirator design, though water-proof, allows air-exchange to avoid any foggy condition that humidity will affect light quality.

IP65 Rated Ingress Protection

Dimension



FF1200 (unit: mm)

Heat Dissipation Sketch

The perfect combination of heat dissipation and thermal conduction. 3D type radiator which is formed from cooling modules and fin ducts can greatly lower down the temperature of light source, extending its life span.



Product Features



High-Performance Thermal Design

The composition of stamped AL1050 fins arrays ensures the maximum contact surface area at a given space, and fins tightly inserted into Al6063 heat sink base enhance the heat conductivity efficiency.



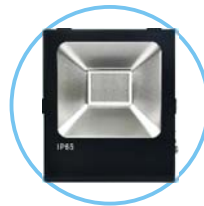
Adjustable Multiple Angles Mounting Brackets

The heat sink assembly's mounting brackets have 15 holes to adjust to the desired mounting angle (up to 120°) for LED light installation conveniences.



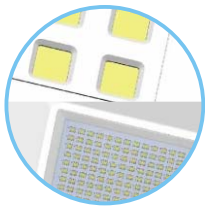
Lampshade Respirator Design

The lampshade respirator design, though water-proof, allows air-exchange to avoid any foggy condition that humidity will affect light quality.



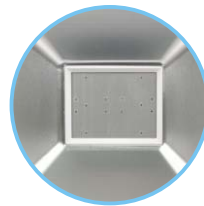
Tempered Glass Cover

The 4mm thick tempered glass cover provides strong resistance to heat and impact and ensures operation safety. The tempered glass cover also supply better than industry average light transmittance rate over 91% maximum.



Flexible Adoption of Great Variety SMD/COB LED Modules

This thermal design allows choices of great variety of SMD/COB LED modules and saves products series development costs and efforts.



High Reflectivity Pure Aluminum Reflector

Pure aluminum (AL 99.80%) provides much better reflectivity, anti-oxidation, and anti-color fading effects.

Application

Product Application: shopping malls, exhibition halls, hotel exterior, billboards, sculpture, the square night view, landscape lighting, grow lamps, etc.



Model Number	Power (W)	Size (mm)	PCB Size (mm)	Chip Model	LED QTY (pcs)	Series/Parallel	Power Supply
FF1070	70W	A:235xB:245xC:120	65x68	COB/3030	COB 70Wx1/70	7S10P	30-36V (1.5A)
FF1100	100W	A:260xB:280xC:140	118x85	COB/3030	COB 50Wx2/100	5S20P	30-36V (3.0A)
FF1150	150W	A:260xB:280xC:165	118x85	COB/3030	COB 70Wx2/150	5S30P	30-36V (4.2A)
FF1200	200W	A:330xB:390xC:180	130x119	COB/3030	COB 50Wx4/204	6S34P	36-42V (5.0A)

※ The above parameters are for reference only, ultimately you have to refer to the physical specification issued by the Company.

※ All the products are supplied in kits which does not include power and lamp beads.