



20~30W COB LED Down Light Heat Sink Module (4") CSB0043B-A01

COB Heat Sink



Features :

- Best Thermal Performance for 20~30W COB LED (Recessed) Down Light / Track Light Application
- Integral Whole Design: Heat Sink and LED Driver Power Cables Conduit Box
- Best Fit Most Popular COB LED Brands: Cree CXB2530 / Bridgelux V18 (30W) / Citizen CLU034 ; Thermal Resistance 1.3~1.55°C/W
- Cold-Forging Benefits: Lower Fin Height, Lighter Weight, and Down Size
- Better Thermal Conductive Aluminum AL1070 Material Than Extrusion AL6061 or Die-Casting ADC12
- Advanced Surface Treatment for Corrosion Protection
- Great Varieties of LED Lighting Applications

Product Information:

Model Number: CSB0043B-A01

Dimension (mm): ϕ 92x48

Heat Sink Surface Area (mm²): 75,529

Tested COB Brightness (lm): 2400~3600

Thermal Resistance(°C/W): 1.3~1.55

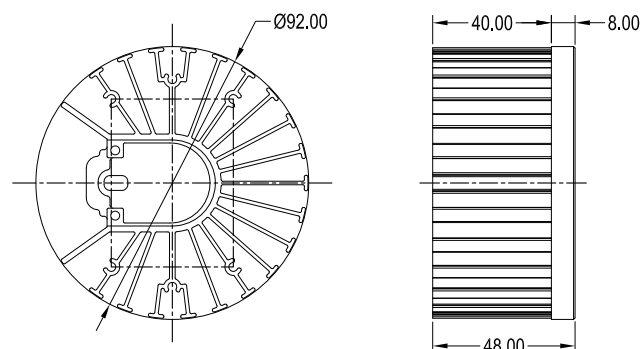
Total Dissipated Power (W): 20W~30W

Weight : 0.28 kgs/0.62 lbs

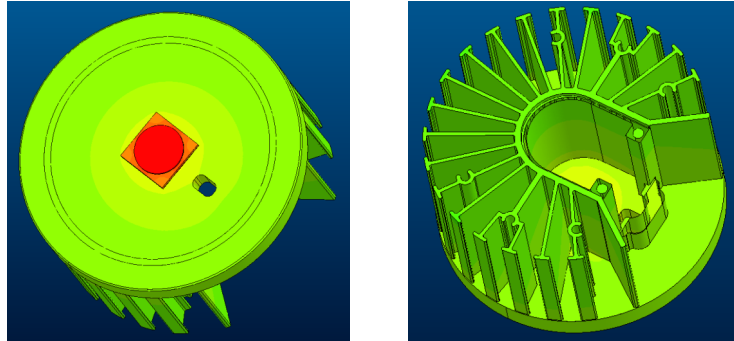
Material: AL1070 Aluminum

Surface Treatment Options : Anodized Black/Clear; Electrophoresis Black

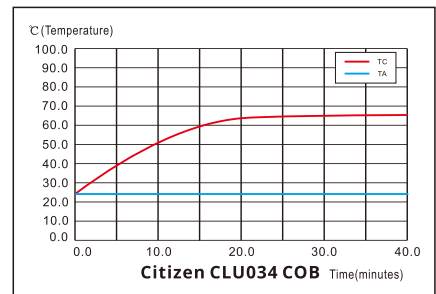
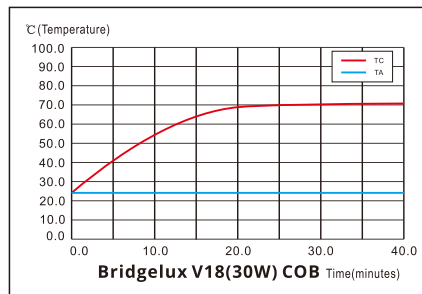
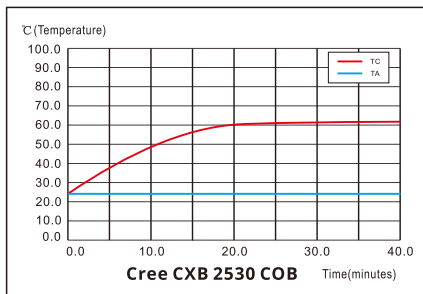
CSB0043B-A01 Dimensions:



Heat Dissipation Simulation:



Temperature Rise Curve:



COB	LED Power (W)	Ambient Temperature Ta (°C)	COB Case Temperature Tc (°C)	Temperature Rise ΔT (°C)	Thermal resistance R _{c-a} (°C/W)	Angle of LED Simulator
Cree CXB 3050	30	25	63.6	38.3	1.29	90°
Bridgelux V18(50W)	30	25	71.0	46.0	1.53	90°
Citizen CLU034	30	25	66.4	41.4	1.38	90°

Applications:

A great variety of applications in Recessed Down Light, Track Light, Spot Light and more

