

LED High Bay Light - HeatSink Square (HS Series)

High Performance Thermal Design

The integrated AL6063 heat sink base & 2 side protection plates design maximizes the contact surface area for heat conduction and convection.

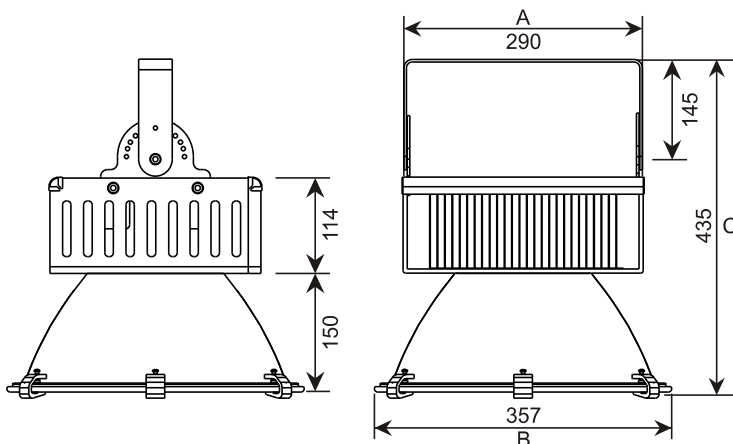
Patented Fins Insertion Technologies

These Al1050 fins tightly inserted into AL 6063 heat sink base help conduct the heat faster due to minimum thermal resistance by gaps between fins and heat sink base.



IP65 Rated Ingress Protection

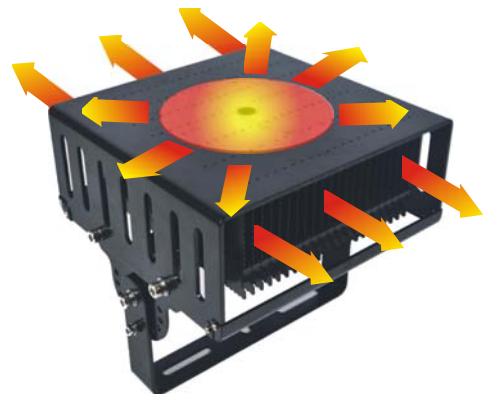
Dimension



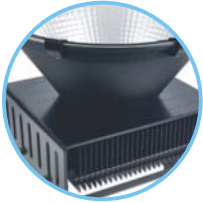
HS1200 (unit: mm)

Heat Dissipation Sketch

The perfect combination of heat dissipation and thermal conduction. 3D type radiator which is formed from cooling modules and fin ducts can greatly lower down the temperature of light source, extending its life span.



Product Features



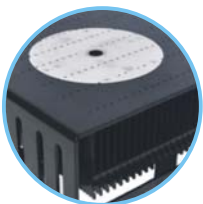
High Performance Thermal Design

The integrated AL6063 heat sink base & 2 side protection plates design maximizes the contact surface area for heat conduction and convection.



Adjustable Multiple Angles Mounting Brackets

The heat sink assembly's mounting brackets have 11 holes to adjust to the desired mounting angle (up to 200°) for LED light installation conveniences.



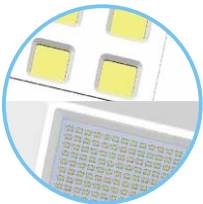
Patented Fins Insertion Technologies

These Al1050 fins tightly inserted into AL 6063 heat sink base help conduct the heat faster due to minimum thermal resistance by gaps between fins and heat sink base.



Tempered Glass Cover

The 4mm thick tempered glass cover provides strong resistance to heat and impact and ensures operation safety. The tempered glass cover also supply better than industry average light transmittance rate over 91% maximum.



Flexible Adoption of Great Variety SMD LED Modules

This thermal design allows choices of great variety of SMD LED modules and saves products series development costs and efforts.



Multi-Angle Reflector Options

Industry's most advanced reflector with multiple reflective angles options - 25°, 60°, 90° suitable for different light distribution coverage that different application needs. The maximum light reflectivity is over 87% with glass cover.

Application

Product Application: workshops, industrial plants, warehouses, highway toll stations, gas stations, supermarkets, exhibition halls, stadiums and other lighting places. It can replace the traditional metal halide and high pressure sodium.



Model Number	Power (W)	Size (mm)	PCB Size (mm)	Chip Model	LED QTY (pcs)	Series/Parallel	Power Supply
HS1100	100W	A:260xB:357xC:370	Ø132x2.0	3030(6V/1W)	100	5S/20P	30V(3A)
HS1150	150W	A:260xB:357xC:400	Ø132x2.0	3030(6V/1W)	150	5S/30P	30V(5A)
HS1200	200W	A:290xB:357xC:435	Ø132x2.0	3030(6V/1W)	200	5S/40P	30V(6A)

※ The above parameters are for reference only, ultimately you have to refer to the physical specification issued by the Company.

※ All the products are supplied in kits which does not include power and lamp beads.