

## Linear LED Grow Light - Heat Sink Assembly (HE Series)



100W Linear Grow Light

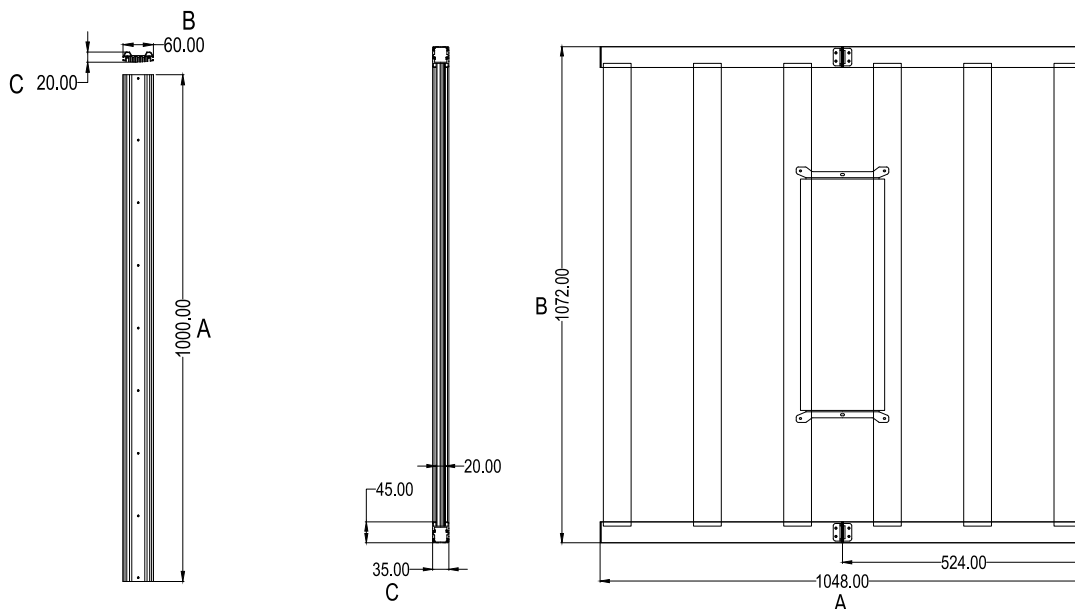
Foldable Pivot Hinge Design

600W Linear Grow Light

### Features :

- Slim Type Aluminum Extrusion Heat Sink Design: Efficient and Portability
- Matrix Installation Design for Uniform Lumen Flux
- Flexible Adoption of Great Variety SMD LED Modules
- Various combination of Linear Light Bar for Lighting Coverage Area Expansion from 100W up to 600W
- Foldable Pivot Hinge Design for Less Required Package, Storage, Shipping Space and Logistic Cost Saving
- Advanced Surface Treatment for Best Corrosion Protection
- Great Varieties of LED Lighting Application: Grow Light, Linear Light Bar, etc

### Dimensions :





**100W**



**200W**



**400W**



**600W**

Model Number	Power (W)	Size (mm)	PCB Size (mm)	Chip Model	LED QTY (pcs)	Series/Parallel	Power Supply
HE5100	100W	A:1000*B:60*C:20	998*23.5*1.6	3030/3535	User Defined	User Defined	User Defined
HE5200	200W	A:1048*B:524*C:35	998*23.5*1.6	3030/3535	User Defined	User Defined	User Defined
HE5400	400W	A;1048*B:524*C:35	998*23.5*1.6	3030/3535	User Defined	User Defined	User Defined
HE5600	600W	A:1048*B:1072*C:35	998*23.5*1.6	3030/3535	User Defined	User Defined	User Defined

※ The above parameters are for reference only, ultimately you have to refer to the physical specification issued by the Company.

※ All the products are supplied in kits which does not include power and lamp beads.

## Applications:

A great variety of applications in Grow Light, Linear Light Bar and more.

