

100W LED Roadway Lighting TD1100-003-A01 (11,000Lumens)



Features :

- Efficacy is up to 110 Lm/W & Least Thermal Requirement PCB (Tpcb<103.5°C@Ta=50°C)
- Integrated Thermal Design & Strong Die-Casted Housing (Material: ADC12)
- Adjustable Arm Bracket Angles for Flexible Street Lamp Mounting
- The Driver Room Is Equipped with a Safety Switch to Ensure the Safety of the Installation and Maintenance Personnel
- IP Protection: IP65

Electrical Specifications:

Model Number: TD1100-003-A01
Wattage: 100W
Voltage: AC100-347V 50/60Hz
LED Light Source: 100W K-SMD Chip
Power Factor (PF) : ≥ 0.92
Driver Efficiency: $\geq 93.5\%$
Operating Temperature: $-40^{\circ}\text{C} \sim 55^{\circ}\text{C}$ ($-40^{\circ}\text{F} \sim 131^{\circ}\text{F}$)
Surge Protection: IEEE C62.41.2 10KV/10KA

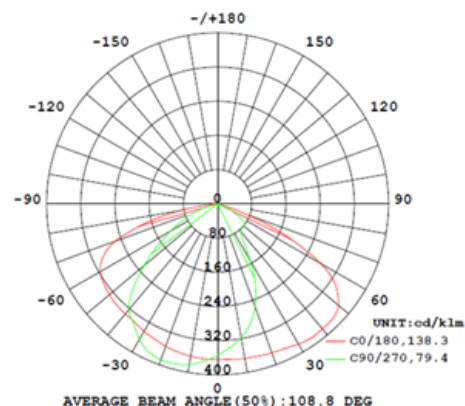
Mechanical Specifications:

Dimension (mm): 550*235*120mm
Life Span (L70) > 50,000hrs @25°C
IP Rating: IP65

Photometric Specifications:

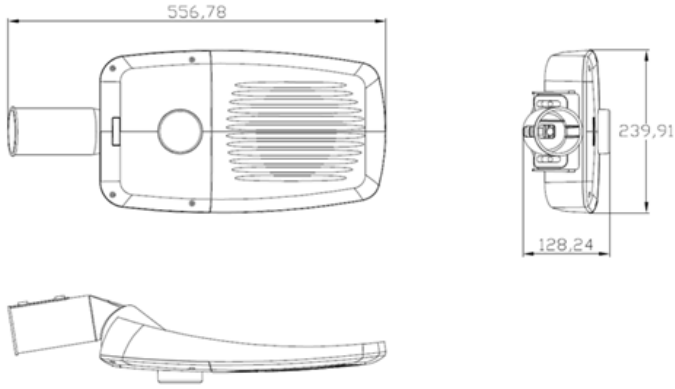
Luminous Flux: 11000lm
Color Rendering Index (CRI): > 70Ra
Color Temperature (CCT): 3000 ~ 5700K
Optional Beam Angle: 70*135°

Light Distribution Curve:



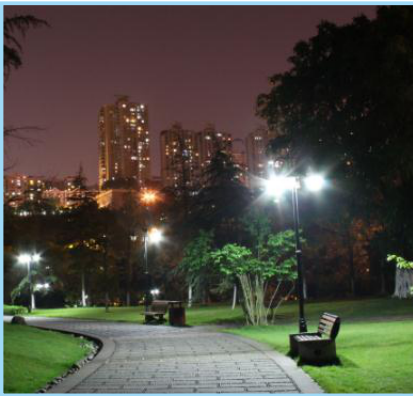
100W

TD1100-003-A01 Dimensions:



Applications:

A great variety of applications in Area Lighting, like Freeways, Streets, Bridges, Tunnels, Parks, Roadways and more.



Item	Model Number	LED Power (W)	Size (mm)	Suitable Light Pole Diameter (mm)	Net Weight (kg)	Gross Weight (kg)
1	TD1040-003-A01	40W	410*100*75	Ø40/Ø60	2.0	2.4
2	TD1060-003-A01	60W	445*180*120	Ø40/Ø60	2.2	2.6
3	TD1100-003-A01	100W	550*235*120	Ø40/Ø60	3.4	3.9
4	TD1150-003-A01	150W	675*275*120	Ø40/Ø60	5.5	6.3
5	TD1200-003-A01	200W	720*275*120	Ø40/Ø60	6.6	7.4