

# DC AXIAL FAN 35x35x10mm



Housing/Blade: Thermoplastic PBT, UL 94V-0  
 Insulation Resistance: 10MΩ, 500VDC/min between bare wire and frame  
 Dielectric Strength: 5mA max. 500VAC/min between bare wire and frame  
 Operation Temperature: -10°C~70°C(Humidity 35%-85%RH)  
 Storage Temperature: -40°C~70°C(Humidity 35%-85%RH)  
 Lead Wire: UL Type #28 AWG  
 Weight: 9 g      **Packing:** 400PCS/CTN

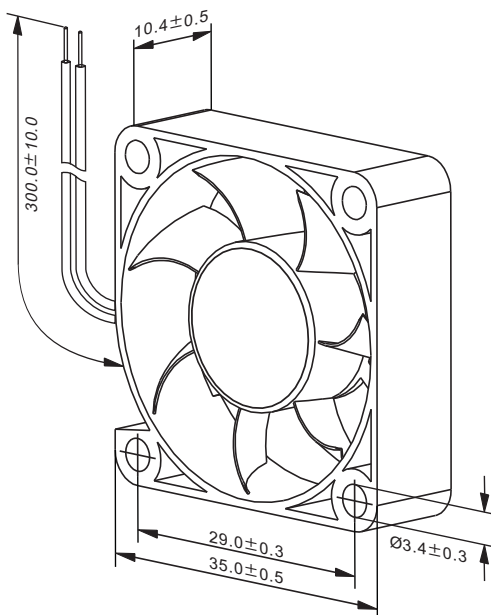


DC Axial Fans

Model Number	Voltage (VDC)	Op. Voltage (VDC)	Air Flow (CFM)	Static Pres. (mm-H <sub>2</sub> O)	Noise (dBA)	Speed (RPM)	Current (mA)	Power (W)	Available Bearing	Curves
FD3510B05W3-71	5	4.0~5.5	3.60	1.30	20.00	5,000	130	0.65	B,L,S	①
FD3510B05W5-71	5	4.0~5.5	5.10	2.50	25.50	7,000	220	1.10	B,L,S	②
FD3510B05W7-71	5	4.0~5.5	6.40	3.70	31.90	9,000	230	1.15	B,L,S	③
FD3510B12W3-71	12	10.8-13.2	3.60	1.30	20.00	5,000	80	0.96	B,L,S	①
FD3510B12W5-71	12	10.8-13.2	5.10	2.50	25.50	7,000	110	1.32	B,L,S	②
FD3510B12W7-71	12	10.8-13.2	6.40	3.70	31.90	9,000	140	1.68	B,L,S	③

• For "Long Life", or "Sleeve" bearing versions, change the "B" in the model number to "L", or "S" respectively.

Specifications are subject to change without notice



unit: mm

