

DC AXIAL FAN 40x40x28mm

(High Performance Fan Series)



Housing/Blade: Thermoplastic PBT, UL 94V-0
 Insulation Resistance: 10M Ω , 500VDC/min between bare wire and frame
 Dielectric Strength: 5mA max. 500VAC/min between bare wire and frame
 Operation Temperature: -10°C~70°C(Humidity 15%-65%RH)
 Storage Temperature: -20°C~85°C(Humidity 15%-65%RH)
 Lead Wire: UL Type #26 AWG
 Weight: 43 g Packing: 400PCS/CTN



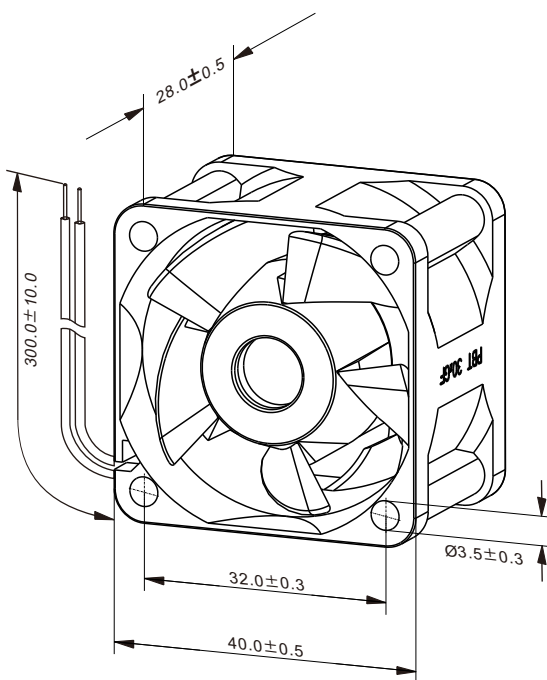
DC Axial Fans

- High Airflow
- Extremely High Static Pressure

Model Number		Voltage (VDC)	Op.Voltage (VDC)	AirFlow (CFM)	StaticPres. (mm-H ₂ O)	Noise (dBA)	Speed (RPM)	Current (mA)	Power (W)	Available Bearing	Curves
FD4028B12W1-88	★▲	12	4.0~13.8	13.00	8.5	44.30	8,000	320	3.84	B	①
FD4028B12W3-88	★▲	12	4.0~13.8	18.60	13.2	46.20	10,000	350	4.20	B	②
FD4028B12W5-88	★▲	12	4.0~13.8	21.40	18.3	49.70	12,000	550	6.60	B	③
FD4028B12W9-88	★▲	12	6.0~13.8	24.40	25.3	53.00	14,000	630	7.56	B	④
FD4028B12W10-88	★▲	12	6.0~13.8	26.10	28.8	54.60	15,000	650	7.80	B	⑤
FD4028B12W11-88	★▲	12	6.0~13.8	28.00	32.7	56.80	16,000	850	10.20	B	⑥
FD4028B12W13-88	★▲	12	6.0~12.8	31.90	37.2	58.30	18,000	2200	26.40	B	⑦
FD4028B12W14-88	★▲	12	6.0~12.8	35.30	45.1	60.40	20,000	2400	28.80	B	⑧

- If model depicts "★", auto restart protection function built in.
- If model depicts "▲", polarity protection function built in.

Specifications are subject to change without notice



unit: mm

