

# DC AXIAL FAN 60x60x38mm

(High Performance Fan Series)



Housing/Blade: Thermoplastic PBT, UL 94V-0  
 Insulation Resistance: 10MΩ, 500VDC/min between bare wire and frame  
 Dielectric Strength: 5mA max. 500VAC/min between bare wire and frame  
 Operation Temperature: -10°C~70°C(Humidity 5%-90%RH)  
 Storage Temperature: -40°C~80°C(Humidity 5%-95%RH)  
 Lead Wire: UL Type #24 AWG  
 Weight: 145 g      Packing: 100PCS/CTN



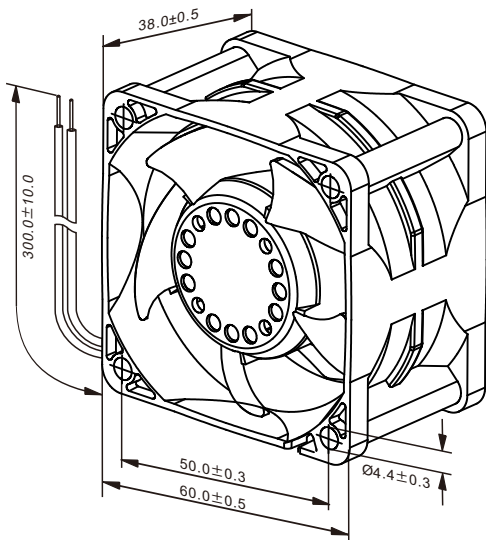
DC Axial Fans

- High Airflow
- Extremely High Static Pressure

Model Number	Voltage (VDC)	Op.Voltage (VDC)	Air Flow (CFM)	Static Pres. (mm-H <sub>2</sub> O)	Noise (dBA)	Speed (RPM)	Current (mA)	Power (W)	Available Bearing	Curves
FD6038B12W3-87H ★▲	12	6.0~13.2	26.10	9.38	49.20	6,000	190	2.28	B	①
FD6038B12W5-87H ★▲	12	6.0~13.2	41.60	21.92	51.80	9,000	580	6.96	B	②
FD6038B12W7-87H ★▲	12	6.0~13.2	55.20	38.03	58.00	12,000	1090	13.08	B	③
FD6038B12W9-87H ★▲	12	6.0~13.2	69.10	58.92	62.80	15,000	2070	24.84	B	④
FD6038B12W11-87H ★▲	12	6.0~13.2	85.85	80.05	65.55	17,000	2800	33.60	B	⑤
FD6038B24W3-87H ★▲	24	14.0~26.4	26.10	9.38	49.20	6,000	130	3.12	B	①
FD6038B24W5-87H ★▲	24	14.0~26.4	41.60	21.92	51.80	9,000	260	6.24	B	②
FD6038B24W7-87H ★▲	24	14.0~26.4	55.20	38.03	58.00	12,000	590	14.16	B	③
FD6038B24W9-87H ★▲	24	14.0~26.4	69.10	58.92	62.80	15,000	1150	27.60	B	④
FD6038B24W11-87H ★▲	24	14.0~26.4	85.85	80.05	65.55	17,000	1800	43.20	B	⑤
FD6038B48W3-87H ★▲	48	24.0~52.8	26.10	9.38	49.20	6,000	80	3.84	B	①
FD6038B48W5-87H ★▲	48	24.0~52.8	41.60	21.92	51.80	9,000	150	7.20	B	②
FD6038B48W7-87H ★▲	48	24.0~52.8	55.20	38.03	58.00	12,000	300	14.40	B	③
FD6038B48W9-87H ★▲	48	24.0~52.8	69.10	58.92	62.80	15,000	540	25.92	B	④
FD6038B48W11-87H ★▲	48	24.0~52.8	85.85	80.05	65.55	17,000	820	39.36	B	⑤

- If model depicts "★", auto restart protection function built in.
- If model depicts "▲", polarity protection function built in.

Specifications are subject to change without notice



unit: mm

