

DC AXIAL FAN 80x80x10mm



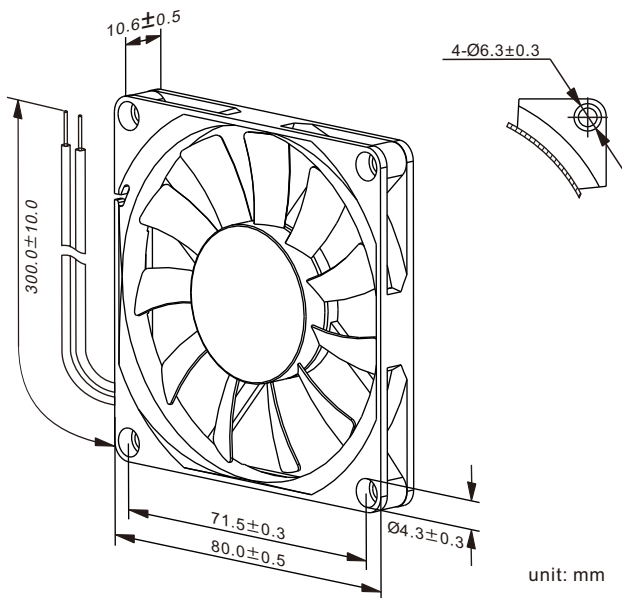
Housing/Blade: Thermoplastic PBT, UL 94V-0
Insulation Resistance: 10MΩ, 500VDC/min between bare wire and frame
Dielectric Strength: 5mA max. 500VAC/min between bare wire and frame
Operation Temperature: -20°C~70°C(Humidity 15%-90%RH)
Storage Temperature: -40°C~85°C(Humidity 15%-90%RH)
Lead Wire: UL Type #26 AWG
Weight: 43 g **Packing:** 100PCS/CTN



| Model Number | Voltage (VDC) | Op.Voltage (VDC) | AirFlow (CFM) | StaticPres. (mm-H ₂ O) | Noise (dBA) | Speed (RPM) | Current (mA) | Power (W) | Available Bearing | Curves |
|------------------|---------------|------------------|---------------|-----------------------------------|-------------|-------------|--------------|-----------|-------------------|--------|
| FD8010B05W3-83 | 5 | 4.0~5.75 | 20.00 | 1.00 | 22.20 | 2,000 | 120 | 0.60 | B | ① |
| FD8010B05W5-83 | 5 | 4.0~5.75 | 24.80 | 1.50 | 27.60 | 2,400 | 220 | 1.10 | B | ② |
| FD8010B05W7-83 | 5 | 4.0~5.75 | 28.40 | 1.90 | 31.50 | 2,800 | 400 | 2.00 | B | ③ |
| FD8010B12W3-83 ★ | 12 | 6.0~13.8 | 20.00 | 1.00 | 22.20 | 2,000 | 90 | 1.08 | B | ① |
| FD8010B12W5-83 ★ | 12 | 6.0~13.8 | 24.80 | 1.50 | 27.60 | 2,400 | 130 | 1.56 | B | ② |
| FD8010B12W7-83 ★ | 12 | 6.0~12.6 | 28.40 | 1.90 | 31.50 | 2,800 | 200 | 2.40 | B | ③ |

- For "Fluid Lubricant" bearing version, change the "B" in the model number to "F".
- If model depicts "★", auto restart protection function built in.

Specifications are subject to change without notice



unit: mm

