

DC AXIAL FAN 80x80x15mm



Housing/Blade: Thermoplastic PBT, UL 94V-0
Insulation Resistance: 10MΩ, 500VDC/min between bare wire and frame
Dielectric Strength: 5mA max. 500VAC/min between bare wire and frame
Operation Temperature: -20°C~70°C(Humidity 15%-90%RH)
Storage Temperature: -40°C~85°C(Humidity 15%-90%RH)
Lead Wire: UL Type #26 AWG
Weight: 59 g **Packing:** 100PCS/CTN

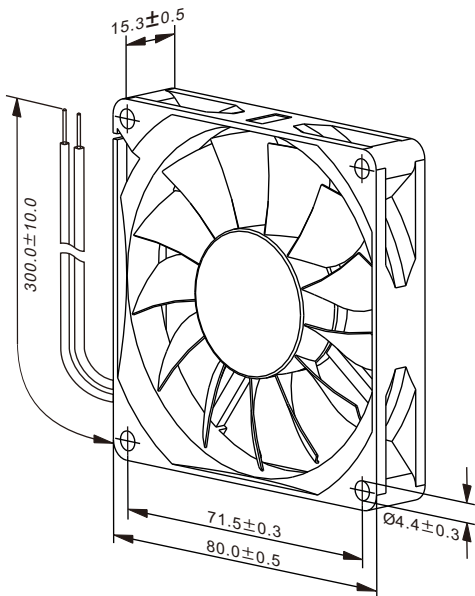


DC Axial Fans

Model Number	Voltage (VDC)	Op.Voltage (VDC)	Air Flow (CFM)	Static Pres. (mm-H ₂ O)	Noise (dBA)	Speed (RPM)	Current (mA)	Power (W)	Available Bearing	Curves
FD8015B12W1-82	12	8.0~13.8	27.10	1.80	25.10	2,000	110	1.32	B,S	①
FD8015B12W3-82	12	6.0~13.8	34.50	2.80	31.00	2,500	190	2.28	B,S	②
FD8015B12W5-82	12	6.0~13.8	41.10	4.00	36.40	3,000	270	3.24	B,S	③
FD8015B12W7-82	★ 12	6.0~13.8	45.90	4.90	38.90	3,300	430	5.16	B,S	④
FD8015B24W3-82	24	12.0~27.6	34.50	2.80	31.00	2,500	120	2.88	B,S	②
FD8015B24W5-82	★ 24	12.0~27.6	41.10	4.00	36.40	3,000	150	3.60	B,S	③

- For "Fluid Lubricant" bearing version, change the "B" in the model number to "S".
- If model depicts "★", auto restart protection function built in.

Specifications are subject to change without notice



unit: mm

