

# DC AXIAL FAN 80x80x15mm



Housing/Blade: Thermoplastic PBT, UL 94V-0  
 Insulation Resistance: 10MΩ, 500VDC/min between bare wire and frame  
 Dielectric Strength: 5mA max. 500VAC/min between bare wire and frame  
 Operation Temperature: -20°C~70°C(Humidity 15%-90%RH)  
 Storage Temperature: -40°C~85°C(Humidity 15%-90%RH)  
 Lead Wire: UL Type #26 AWG  
 Weight: 64 g      Packing: 100PCS/CTN

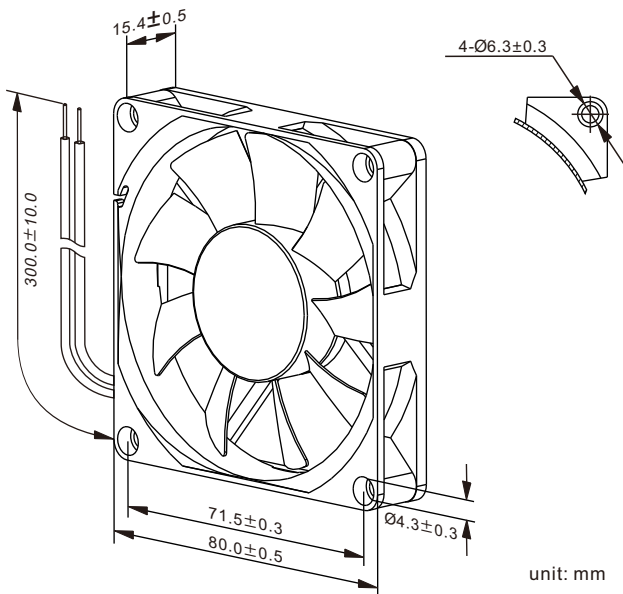


DC Axial Fans

Model Number	Voltage (VDC)	Op.Voltage (VDC)	Air Flow (CFM)	Static Pres. (mm-H <sub>2</sub> O)	Noise (dBA)	Speed (RPM)	Current (mA)	Power (W)	Available Bearing	Curves
FD8015B05W3-83	5	4.0~5.75	25.50	1.50	22.20	2,100	140	0.70	B	①
FD8015B05W5-83	5	4.0~5.75	30.90	2.10	26.10	2,500	190	0.95	B	②
FD8015B05W7-83	5	4.0~5.75	36.00	2.80	31.00	2,900	330	1.65	B	③
FD8015B12W3-83	★ 12	6.0~13.8	25.50	1.50	22.20	2,100	70	0.84	B	①
FD8015B12W5-83	★ 12	6.0~13.8	30.90	2.10	26.10	2,500	100	1.20	B	②
FD8015B12W7-83	★ 12	6.0~13.8	36.00	2.80	31.00	2,900	140	1.68	B	③
FD8015B24W5-83	★ 24	12.0~27.6	30.90	2.10	26.10	2,500	60	1.44	B	②
FD8015B24W7-83	★ 24	12.0~26.0	36.00	2.80	31.00	2,900	110	2.64	B	③

- For "Fluid Lubricant" bearing version, change the "B" in the model number to "F".
- If model depicts "★", auto restart protection function built in.

Specifications are subject to change without notice



unit: mm

