

# DC AXIAL FAN 92x92x25mm



**Housing/Blade:** Thermoplastic PBT, UL 94V-0  
**Insulation Resistance:** 10MΩ, 500VDC/min between bare wire and frame  
**Dielectric Strength:** 5mA max. 500VAC/min between bare wire and frame  
**Operation Temperature:** -20°C~70°C(Humidity 15%-90%RH)  
**Storage Temperature:** -40°C~85°C(Humidity 15%-90%RH)  
**Lead Wire:** UL Type #24 AWG  
**Weight:** 106 g      **Packing:** 100PCS/CTN

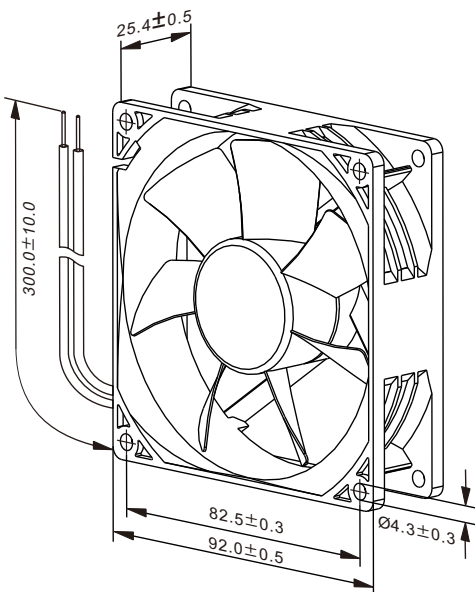


- High Airflow
- High Static Pressure

Model Number	Voltage (VDC)	Op.Voltage (VDC)	AirFlow (CFM)	StaticPres. (mm-H <sub>2</sub> O)	Noise (dBA)	Speed (RPM)	Current (mA)	Power (W)	Available Bearing	Curves
FD9225B12W3-84 ★▲	12	6.0~13.2	71.60	5.60	39.90	3,100	180	2.16	B	①
FD9225B12W5-84 ★▲	12	6.0~13.2	84.90	7.70	43.80	3,700	270	3.24	B	②
FD9225B12W7-84 ★▲	12	6.0~13.2	97.50	9.50	47.80	4,200	400	4.80	B	③

- For "Fluid Lubricant" bearing version, change the "B" in the model number to "F".
- If model depicts "★", auto restart protection function built in.
- If model depicts "▲", polarity protection function built in.

Specifications are subject to change without notice



unit: mm

