

# DC AXIAL FAN 120x120x25mm



Housing/Blade: Thermoplastic PBT, UL 94V-0  
 Insulation Resistance: 10MΩ, 500VDC/min between bare wire and frame  
 Dielectric Strength: 5mA max. 500VAC/min between bare wire and frame  
 Operation Temperature: -10°C~70°C(Humidity 35%-85%RH)  
 Storage Temperature: -40°C~70°C(Humidity 35%-85%RH)  
 Lead Wire: UL Type #24 AWG  
 Weight: 164 g      Packing: 60PCS/CTN

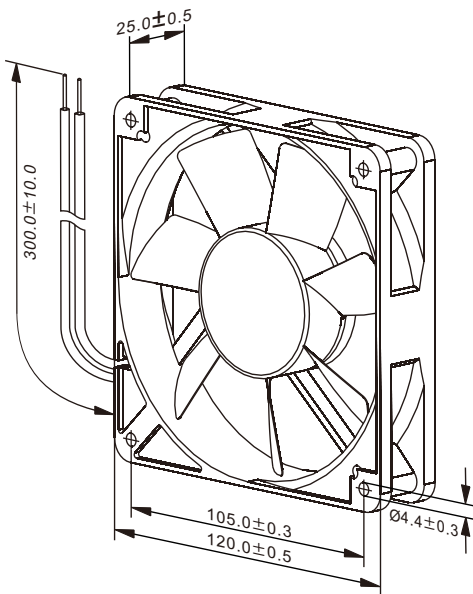


DC Axial Fans

Model Number		Voltage (VDC)	Op.Voltage (VDC)	AirFlow (CFM)	Static Pres. (mm-H <sub>2</sub> O)	Noise (dBA)	Speed (RPM)	Current (mA)	Power (W)	Available Bearing	Curves
FD1225B12W2-61	▲	12	6.0~13.8	66.10	2.60	33.50	1,700	180	2.16	B,S	①
FD1225B12W3-61	★▲	12	6.0~13.8	78.10	3.60	37.40	2,000	230	2.76	B,S	②
FD1225B12W5-61	★▲	12	6.0~13.8	93.00	4.90	43.30	2,400	340	4.08	B,S	③
FD1225B24W2-61	▲	24	12.0~27.6	66.10	2.60	33.50	1,700	110	2.64	B,S	①
FD1225B24W3-61	★▲	24	12.0~27.6	78.10	3.60	37.40	2,000	170	4.08	B,S	②
FD1225B24W5-61	★▲	24	12.0~27.6	93.00	4.90	43.30	2,400	280	6.72	B,S	③

- For "Sleeve" bearing version, change the "B" in the model number to "S".
- If model depicts "★", auto restart protection function built in.
- If model depicts "▲", polarity protection function built in.

Specifications are subject to change without notice



unit: mm

