

# AC AXIAL FAN 110x110x25mm

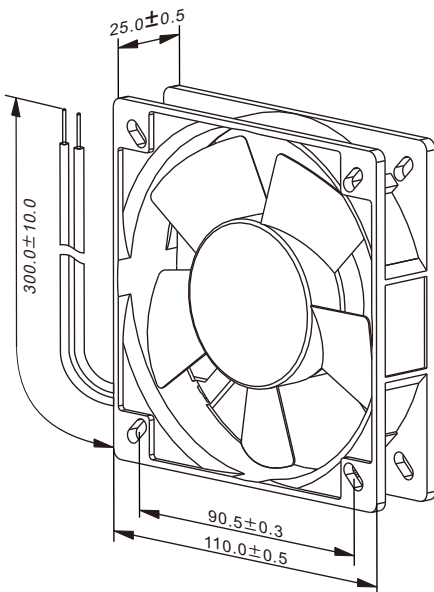


**Housing:** Die-Cast Aluminum, Painted Black  
**Blade:** Thermoplastic PBT, UL 94V-0  
**Insulation Resistance:** 100M $\Omega$ , 500VDC/min between bare wire and frame  
**Dielectric Strength:** 1500VAC for one minute  
**Operation Temperature:** -10°C-70°C(Humidity 35%-85%RH)  
**Storage Temperature:** -40°C-85°C(Humidity 35%-85%RH)  
**Motor Protection:** Impedance Protected  
**Weight:** 320 g      **Packing:** 40PCS/CTN

Model Number	Voltage (VAC)	Frequency (Hz)	AirFlow (CFM)	Stat.Pres. (mm-H <sub>2</sub> O)	Noise (dBA)	Speed (RPM)	Current (mA)	Power (W)	Available Bearing	Curves
FA1125B11T5-96	115	50/60	43.6/49.7	4.1/4.6	36.4/39.4	2,000/2,200	130/110	12/10	B,S	①/②
FA1125B11T7-96	115	50/60	48.7/55.8	4.6/5.2	38.4/41.4	2,100/2,300	140/120	13/11	B,S	③/④
FA1125B22T5-96	230	50/60	43.6/49.7	4.1/4.6	36.4/39.4	2,000/2,200	80/70	11/9	B,S	①/②
FA1125B22T7-96	230	50/60	48.7/55.8	4.6/5.2	38.4/41.4	2,100/2,300	90/80	12/10	B,S	③/④

- For "Sleeve" bearing version, change the "B" in the model number to "S".
- For "Wire Lead" version, change the "T" in the model number to "W".

Specifications are subject to change without notice



unit: mm

