

AC AXIAL FAN 120x120x25mm



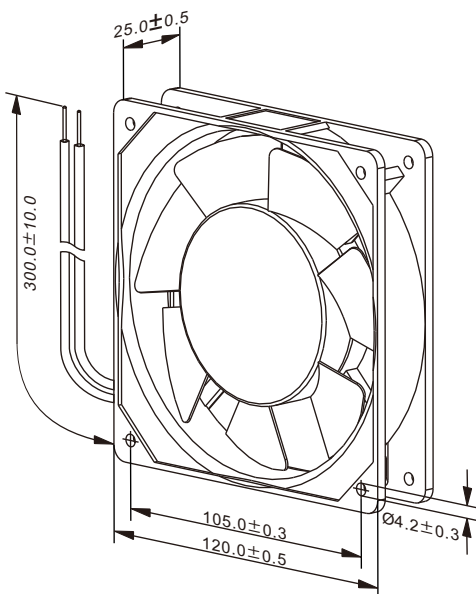
Housing: Die-Cast Aluminum, Painted Black
Blade: Thermoplastic PBT, UL 94V-0
Insulation Resistance: 100M Ω , 500VDC/min between bare wire and frame
Dielectric Strength: 1500VAC for one minute
Operation Temperature: -10°C-70°C(Humidity 35%-85%RH)
Storage Temperature: -40°C-85°C(Humidity 35%-85%RH)
Motor Protection: Impedance Protected
Weight: 335 g **Packing:** 40PCS/CTN



Model Number	Voltage (VAC)	Frequency (Hz)	Air Flow (CFM)	Stat.Pres. (mm-H ₂ O)	Noise (dBA)	Speed (RPM)	Current (mA)	Power (W)	Available Bearing	Curves
FA1225B11T5-96	115	50/60	50.8/53.8	2.6/2.8	29.6/31.5	2,000/2,200	120/100	11/9	B,S	①/②
FA1225B11T7-96	115	50/60	56.8/62.9	3.4/4.1	35.5/37.4	2,100/2,400	120/110	11/10	B,S	③/④
FA1225B11T9-96	115	50/60	60.9/68.0	3.6/4.4	37.4/39.4	2,200/2,500	140/120	13/11	B,S	⑤/⑥
FA1225B22T5-96	※ 230	50/60	50.8/53.8	2.6/2.8	29.6/31.5	2,000/2,200	60/50	11/9	B,S	①/②
FA1225B22T7-96	※ 230	50/60	56.8/62.9	3.4/4.1	35.5/37.4	2,100/2,300	76/64	14/12	B,S	③/④
FA1225B22T9-96	※ 230	50/60	60.9/68.0	3.6/4.4	37.4/39.4	2,200/2,400	80/70	15/13	B,S	⑤/⑥

- For "Sleeve" bearing version, change the "B" in the model number to "S".
- For "Wire Lead" version, change the "T" in the model number to "W".
- If model depicts "※", UL approvals can be implemented upon request.

Specifications are subject to change without notice



unit: mm

