

AC AXIAL FAN 160x160x62mm



Housing: Die-Cast Aluminum, Painted Black
Blade: Injection Molded of Flame Retardant Polycarbonate, Black
Insulation Resistance: 100M Ω , 500VDC/min between bare wire and frame
Dielectric Strength: 1500VAC for one minute
Operation Temperature: -20°C~70°C(Humidity 35%-85%RH)
Storage Temperature: -40°C~85°C(Humidity 35%-85%RH)
Motor Protection: Thermally Protected
Weight: 1400 g **Packing:** 12PCS/CTN

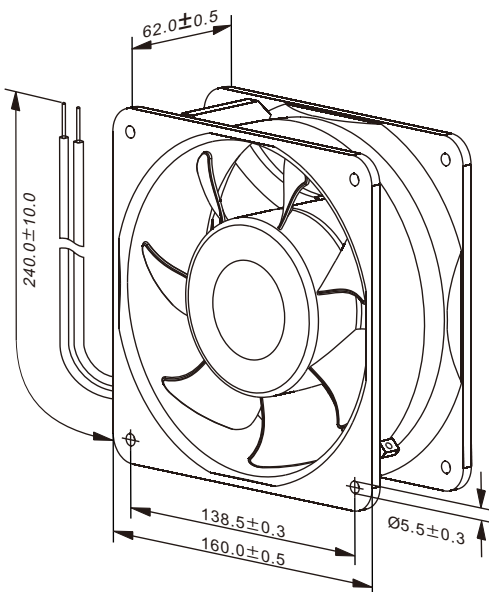
Model Number	Voltage (VAC)	Frequency (Hz)	Air Flow (CFM)	Stat.Pres. (mm-H ₂ O)	Noise (dBA)	Speed (RPM)	Current (mA)	Power (W)	Available Bearing	Curves
FA1662B11T7C-52	115	50/60	241.0/285.0	13.6/18.7	51.0/56.0	2,900/3,400	450/500	51/57	B	①/②
FA1662B22T7C-52	230	50/60	239.0/288.0	13.6/18.7	51.0/56.0	2,900/3,500	230/240	50/55	B	①/②

• For "Wire Lead" version, change the "T" in the model number to "W".

Specifications are subject to change without notice



AC Axial Fans



unit: mm

