

AC AXIAL FAN

Ø 220x60mm



Housing: Die-Cast Aluminum, Painted Black
 Blade: Thermoplastic PBT, UL 94V-0
 Insulation Resistance: 100MΩ, 500VDC/min between bare wire and frame
 Dielectric Strength: 1500VAC for one minute
 Operation Temperature: -10°C~70°C(Humidity 35%-85%RH)
 Storage Temperature: -40°C~85°C(Humidity 35%-85%RH)
 Motor Protection: Thermally Protected
 Weight: 1540 g Packing: 10PCS/CTN

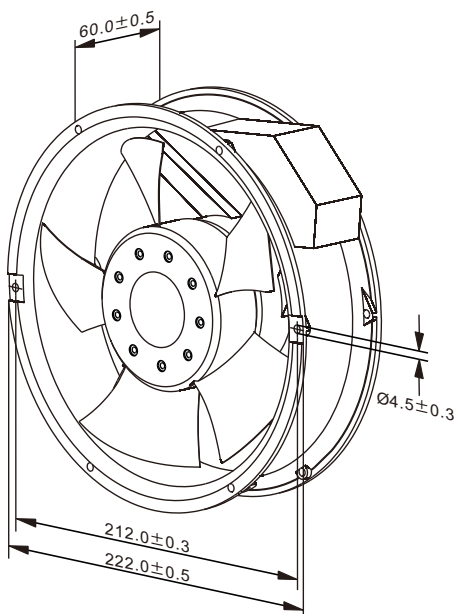


Model Number	Voltage (VAC)	Frequency (Hz)	AirFlow (CFM)	Stat.Pres. (mm-H ₂ O)	Noise (dBA)	Speed (RPM)	Current (mA)	Power (W)	Available Bearing	Curves
FA2260B11T7C-31	115	50/60	436.5/492.3	24.4/18.3	58.1/61.1	2,800/3,200	420/460	50/56	B	①/②
FA2260B22T7C-31	230	50/60	436.5/492.3	24.4/18.3	58.1/61.1	2,800/3,200	250/260	50/56	B	①/②

• For "Wire Lead" version, change the "T" in the model number to "W".

Specifications are subject to change without notice

AC Axial Fans



unit: mm

