

AC AXIAL FAN

Ø 220x60mm

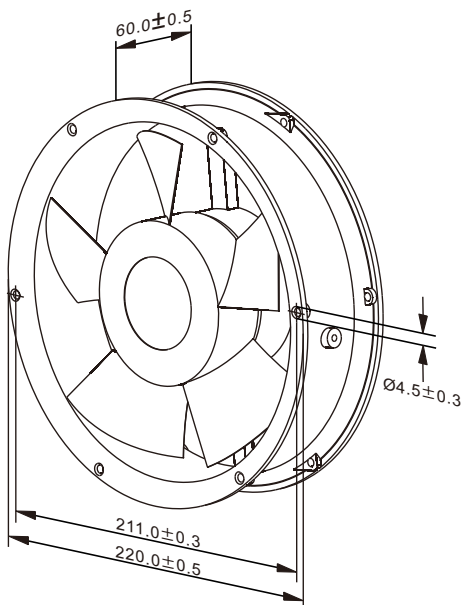


Housing: Die-Cast Aluminum, Painted Black
Blade: Thermoplastic PBT, UL 94V-0
Insulation Resistance: 100MΩ, 500VDC/min between bare wire and frame
Dielectric Strength: 1500VAC for one minute
Operation Temperature: -10°C~70°C(Humidity 35%-85%RH)
Storage Temperature: -40°C~85°C(Humidity 35%-85%RH)
Motor Protection: Impedance Protected
Weight: 1620 g **Packing:** 10PCS/CTN

Model Number	Voltage (VAC)	Frequency (Hz)	AirFlow (CFM)	Stat.Pres. (mm-H ₂ O)	Noise (dBA)	Speed (RPM)	Current (mA)	Power (W)	Available Bearing	Curves
FA2260B11T7-96	115	50/60	355.3/431.4	15.2/17.3	59.1/64.0	2,800/3,200	760/700	52/52	B,S	①/②
FA2260B22T7-96	230	50/60	355.3/431.4	15.2/17.3	59.1/64.0	2,800/3,200	380/350	52/52	B,S	①/②
FA2260B11W7-96	115	50/60	355.3/431.4	15.2/17.3	59.1/64.0	2,800/3,200	760/700	52/52	B,S	①/②
FA2260B22W7-96	230	50/60	355.3/431.4	15.2/17.3	59.1/64.0	2,800/3,200	380/350	52/52	B,S	①/②

- For "Sleeve" bearing version, change the "B" in the model number to "S".
- For "Wire Lead" version, change the "T" in the model number to "W".

Specification are subject to change without notice



unit: mm

