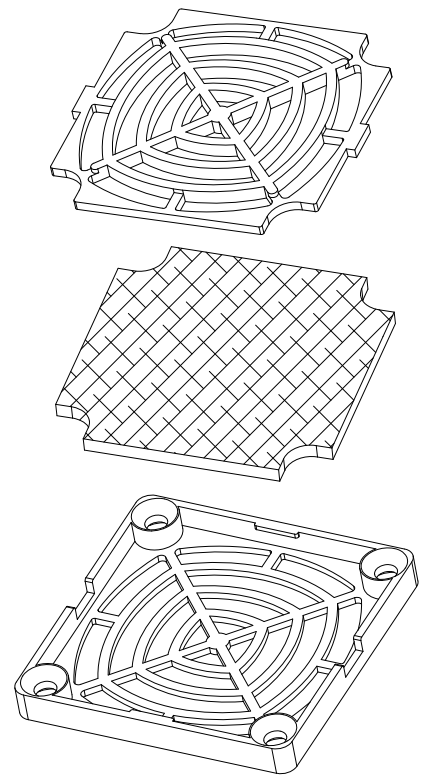
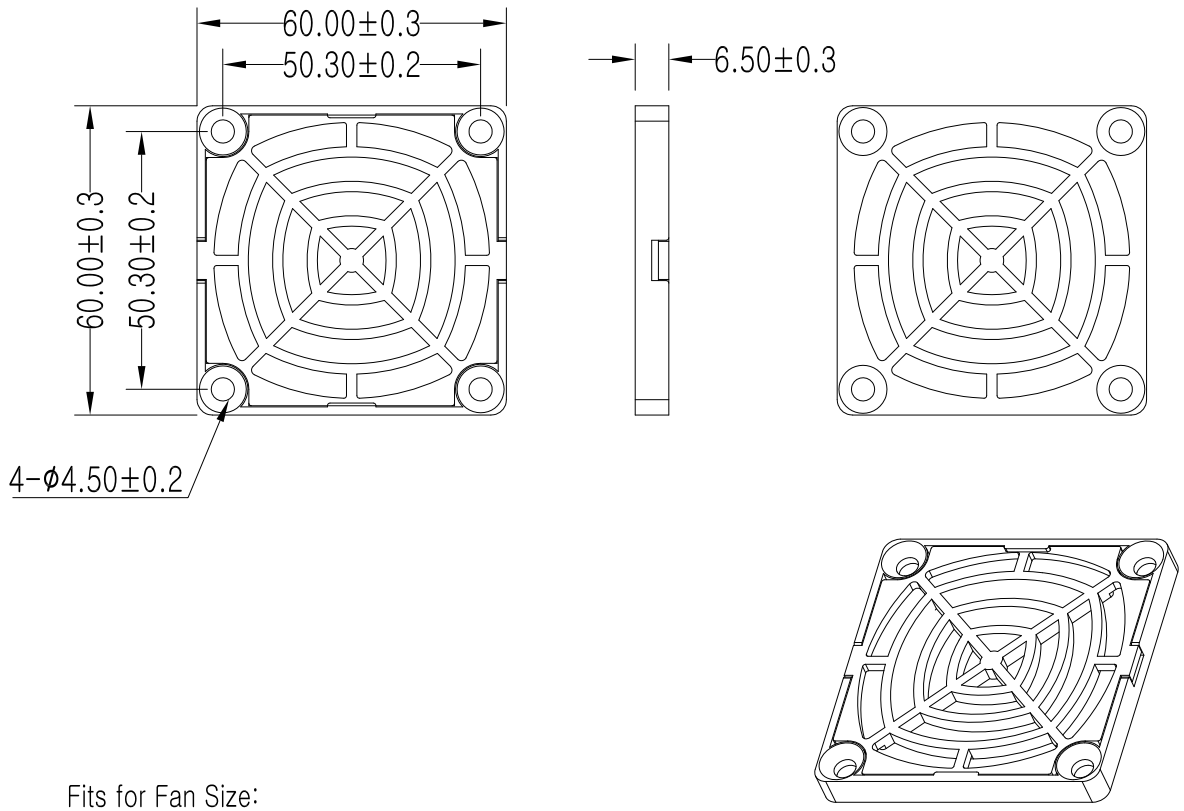


REVISED RECORD				
REV NO.	CONTENT	CHG BY	DATE	APPROVED BY
A0.		Gavin	2014/01/11	



Fits for Fan Size:  
 60\*60\*10mm 60\*60\*15mm 60\*60\*20mm  
 60\*60\*25mm 60\*60\*38mm

- Specifications:
- \*Retainer & Guard Material: Flame Retardant plastic ABS thermoplastic, rated UL94V-0.
  - \*Retainer & Guard Color: Standard black.
  - \*Filter material: Polyurethane(PU)Foam; Size: 56.0\*56.0\*3.0mm
  - \*Filter Density: 40PPI, 60PPI (pores per inch).
  - \*No Burr, Flash, Bruising, Scratches.
  - \*Product not deformation.

*Product dimension Gen. Tol. : ±0.05*		Control Dimensions		x.xxx		For QC Check	
UNLESS OTHERWISE SPECIFIED TOLERANCES		COOLTRON INDUSTRIAL SUPPLY, INC.					
X.XXX/FL ± 0.127		UNITS		<b>COOLTRON<sup>®</sup></b>			
X.XX ± 0.254		MM					
X.X ± 0.5				DATE 2014/01/11		TITLE: PLASTIC FAN FILTER	
DATE 2014/01/11		DRAWN Gavin		DATE 2014/01/11		Drawing Number: FPF-060A-40	
A0		CHECKED		DATE		Process:	
A1		APPROVED		DATE		SCALE 1:1	
A2		THIRD ANGLE		PROJECT		SHT OF 1:1	
A3						A total of one page The first page	