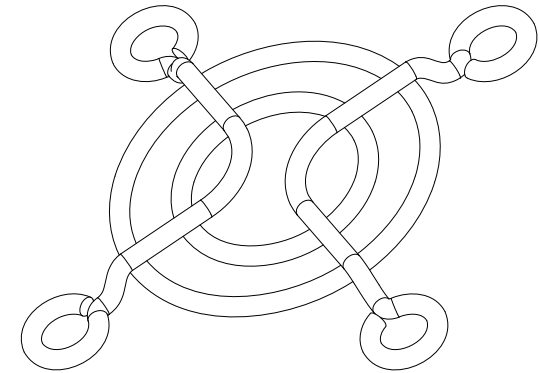
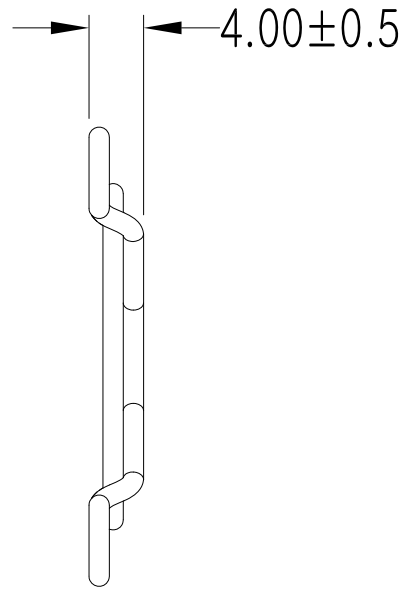
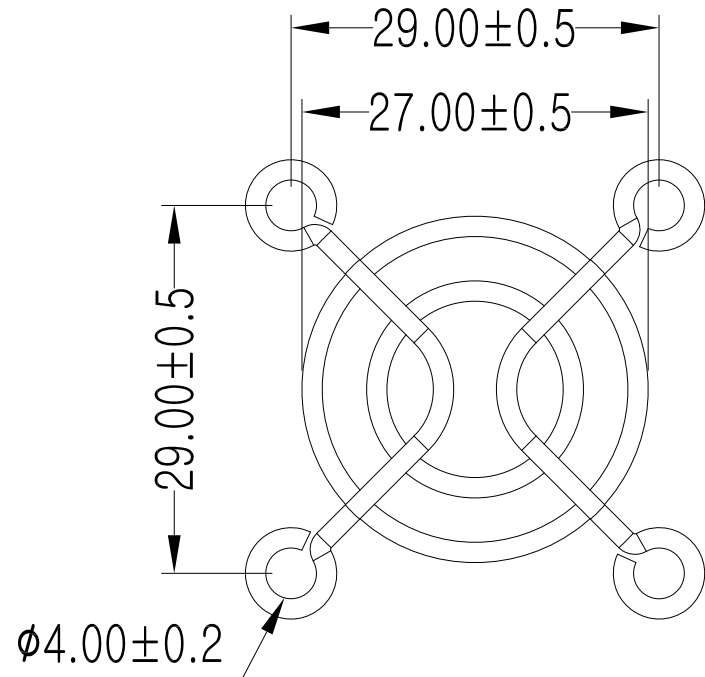


REVISED RECORD				
REV NO.	CONTENT	CHG BY	DATE	APPROVED BY
A0.		Gavin	2014/01/18	



Fits for Fan Size:

35*35*10mm

Specifications:

*Materials: Bright basic wire.

*Finish: bright nickel chrome plating.

* (1) Rings are ϕ1.6±0.1

* (2) Ribs are ϕ1.6±0.1

*Weld joints to withstand 88 lbs pull force.

*Part meets ϕ6.35mm plug gauge test.

Product dimension Gen. Tol. : ±0.05		Control Dimensions		x.xxx		For QC Check				
DWG REV	DATE	UNLESS OTHERWISE SPECIFIED TOLERANCES		COOLTRON INDUSTRIAL SUPPLY, INC.						
	2014/01/18	X.XXXFL ± 0.127	UNITS							
		X.XX ± 0.254	MM							
		X.X* ± 0.5		A0	DRAWN	Gavin	DATE	2014/01/18	TITLE:	FGW-035A-1
A1		CHECKED		A1			DATE		Drawing Number:	
A2		APPROVED		A2			DATE		Process:	SCALE 1:1
A3		THIRD ANGLE		A3			PROJECT		SHT OF	1 of 1