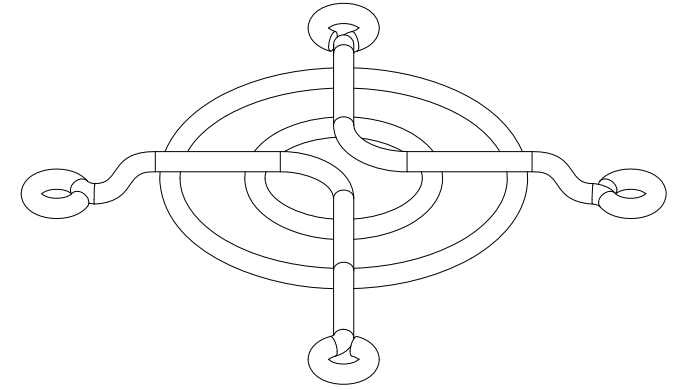
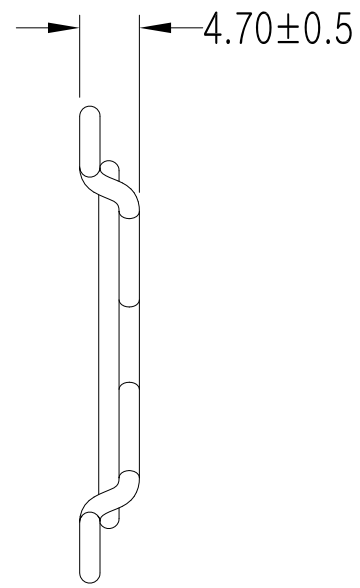
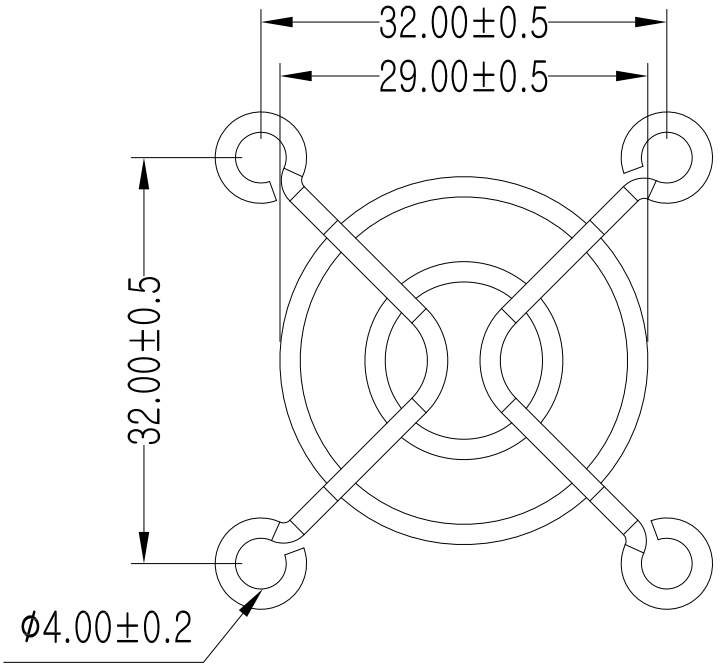


REVISED RECORD				
REV NO.	CONTENT	CHG BY	DATE	APPROVED BY
A0.		Gavin	2014/01/18	



Fits for Fan Size:
 40*40*07mm 40*40*10mm 40*40*15mm
 40*40*20mm 40*40*28mm

- Specifications:
- *Materials: Bright basic wire.
 - *Finish: bright nickel chrome plating.
 - *(1) Rings are $\phi 1.6 \pm 0.1$
 - *(2) Ribs are $\phi 1.6 \pm 0.1$
 - *Weld joints to withstand 88 lbs pull force.
 - *Part meets $\phi 6.35$ mm plug gauge test.

*Product dimension Gen. Tol. : ± 0.05 *		Control Dimensions		x.xxx		For QC Check	
DWG REV	UNLESS OTHERWISE SPECIFIED TOLERANCES			COOLTRON INDUSTRIAL SUPPLY, INC. COOLTRON®			
	DATE	X.XXXFL ± 0.127 X.XX ± 0.254 X.X* ± 0.5	UNITS MM				
A0	DRAWN	Gavin	DATE	2014/01/18	TITLE: FGW-040A-1		
A1	CHECKED		DATE		Drawing Number:		
A2	APPROVED		DATE		Process:	SCALE	1:1
A3	THIRD ANGLE		PROJECT		SHT OF A total of one page The first page		