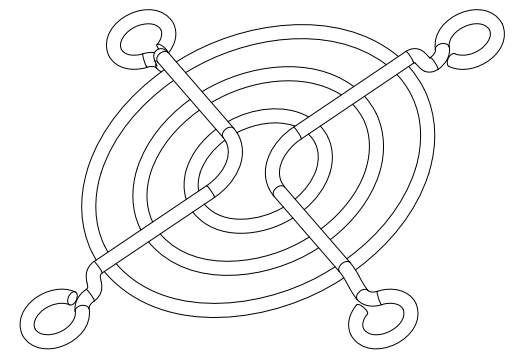
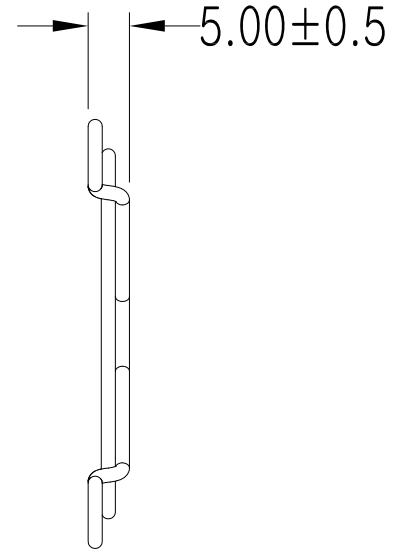
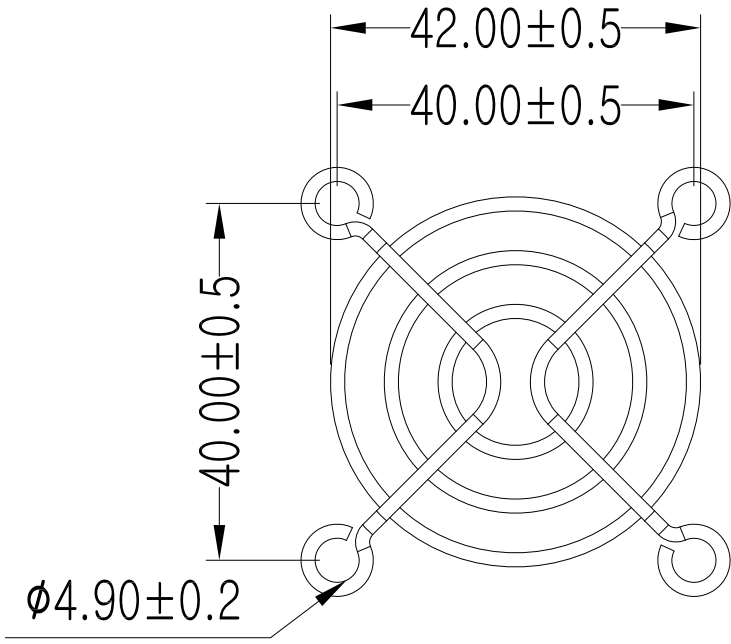


| REVISED RECORD | | | | |
|----------------|---------|--------|------------|-------------|
| REV NO. | CONTENT | CHG BY | DATE | APPROVED BY |
| A0. | | Gavin | 2014/01/18 | |



Fits for Fan Size:

- 50*50*10mm 50*50*10mm
- 50*50*20mm 50*50*25mm

Specifications:

- *Materials: Bright basic wire.
- *Finish: bright nickel chrome plating.
- *(1) Rings are $\phi 1.6 \pm 0.1$
- *(2) Ribs are $\phi 1.6 \pm 0.1$
- *Weld joints to withstand 88 lbs pull force.
- *Part meets $\phi 6.35$ mm plug gauge test.

| *Product dimension Gen. Tol. : ±0.05* | | Control Dimensions | | x.xxx | | For QC Check | |
|---------------------------------------|----------------------------|--------------------|---------|---|------------------------------------|--------------|--------|
| DWG REV | UNLESS OTHERWISE SPECIFIED | TOLERANCES | | COOLTRON INDUSTRIAL SUPPLY, INC. COOLTRON® | | | |
| | DATE | X.XXXFL ± 0.127 | UNITS | | | | |
| | 2014/01/18 | X.XX ± 0.254 | MM | | | | |
| A0 | DRAWN | Gavin | DATE | 2014/01/18 | TITLE: FGW-050A-1 | | |
| A1 | CHECKED | | DATE | | Drawing Number: | | |
| A2 | APPROVED | | DATE | | Process: | SCALE 1:1 | SHT OF |
| A3 | THIRD ANGLE | | PROJECT | | A total of one page The first page | | |