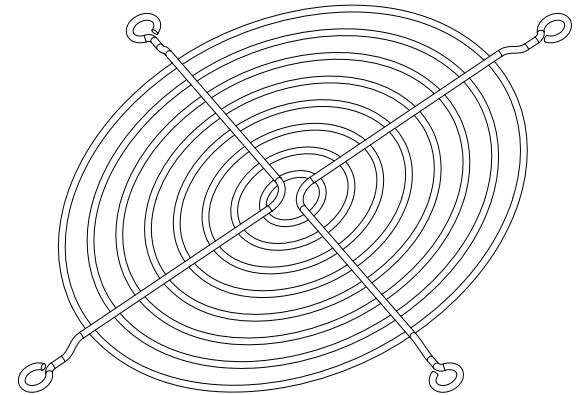
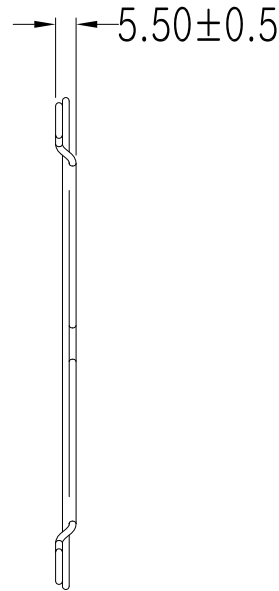
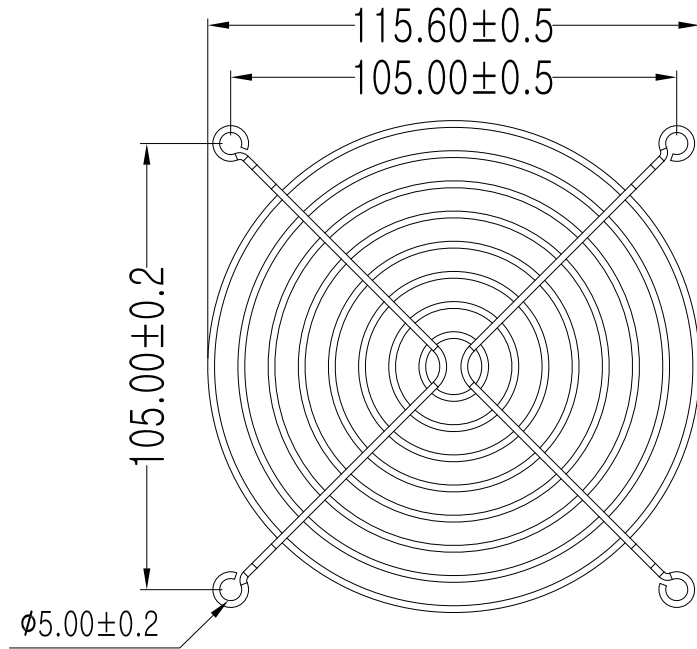


REVISED RECORD				
REV NO.	CONTENT	CHG BY	DATE	APPROVED BY
A0.		Gavin	2014/01/18	



Fits for Fan Size:

120*120*25mm 120*120*32mm 120*120*38mm

Specifications:

*Materials: Bright basic wire.

*Finish: bright nickel chrome plating.

* (1) Rings are $\phi 1.8 \pm 0.1$

* (2) Ribs are $\phi 1.8 \pm 0.1$

*Weld joints to withstand 88 lbs pull force.

*Part meets $\phi 6.35$ mm plug gauge test.

*Product dimension Gen. Tol. : ± 0.05 *		Control Dimensions		x.xxx		For QC Check	
DWG REV	UNLESS OTHERWISE SPECIFIED	TOLERANCES		COOLTRON INDUSTRIAL SUPPLY, INC. COOLTRON®			
	DATE	X.XXXFL X.XX X.X*	± 0.127 ± 0.254 ± 0.5				
A0	2014/01/18	DRAWN	Gavin	DATE	2014/01/18	TITLE:	FGW-120A-1
A1		CHECKED		DATE		Drawing Number:	
A2		APPROVED		DATE		Process:	SCALE 1:1
A3		THIRD ANGLE		PROJECT		SHT OF	1 of 1