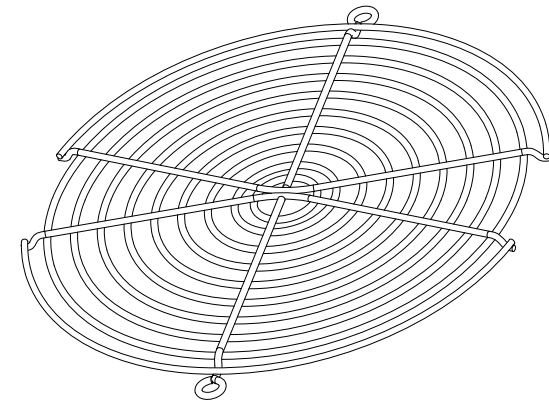
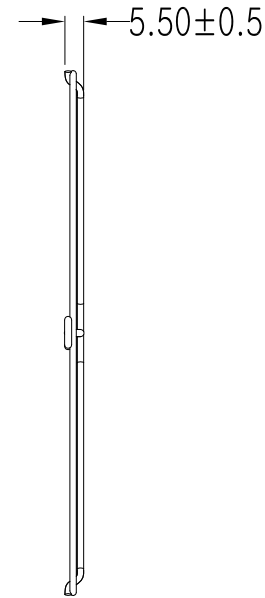
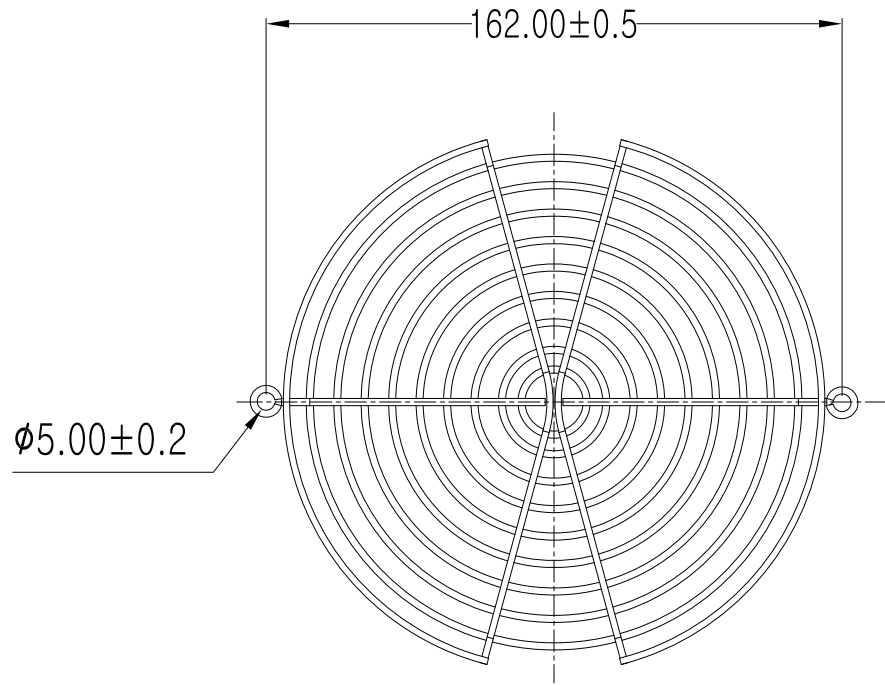


REVISED RECORD				
REV NO.	CONTENT	CHG BY	DATE	APPROVED BY
A0.		Gavin	2014/01/18	



Fits for Fan Size:

172*150*38mm 172*150*51mm
 φ172*51mm 172*151*55mm

Specifications:

- *Materials: Bright basic wire.
- *Finish: bright nickel chrome plating.
- * (1) Rings are φ2.0±0.1
- * (2) Ribs are φ2.0±0.1
- *Weld joints to withstand 88 lbs pull force.
- *Part meets φ6.35mm plug gauge test.

Product dimension Gen. Tol. : ±0.05		Control Dimensions		x.xxx		For QC Check	
DWG REV	UNLESS OTHERWISE SPECIFIED	TOLERANCES		COOLTRON INDUSTRIAL SUPPLY, INC. COOLTRON®			
	DATE	X.XXXFL ± 0.127	UNITS				
	2014/01/18	X.XX ± 0.254	MM				
A0	DRAWN	Gavin	DATE	2014/01/18	TITLE:	FGW-162A-1	
A1	CHECKED		DATE		Drawing Number:		
A2	APPROVED		DATE		Process:	SCALE	1:1
A3	THIRD ANGLE		PROJECT		SHT OF A total of one page The first page		