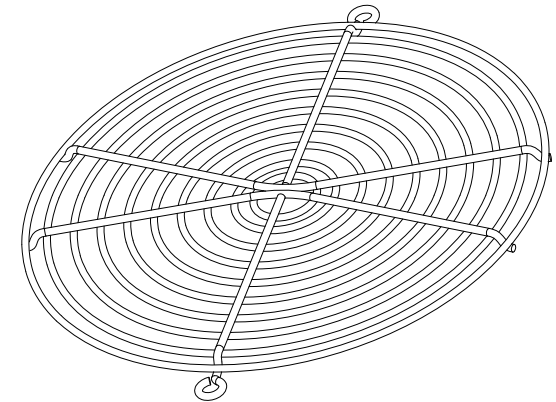
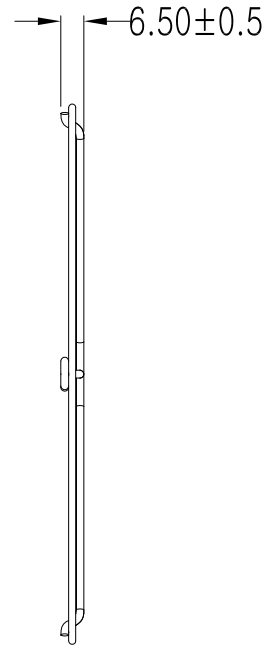
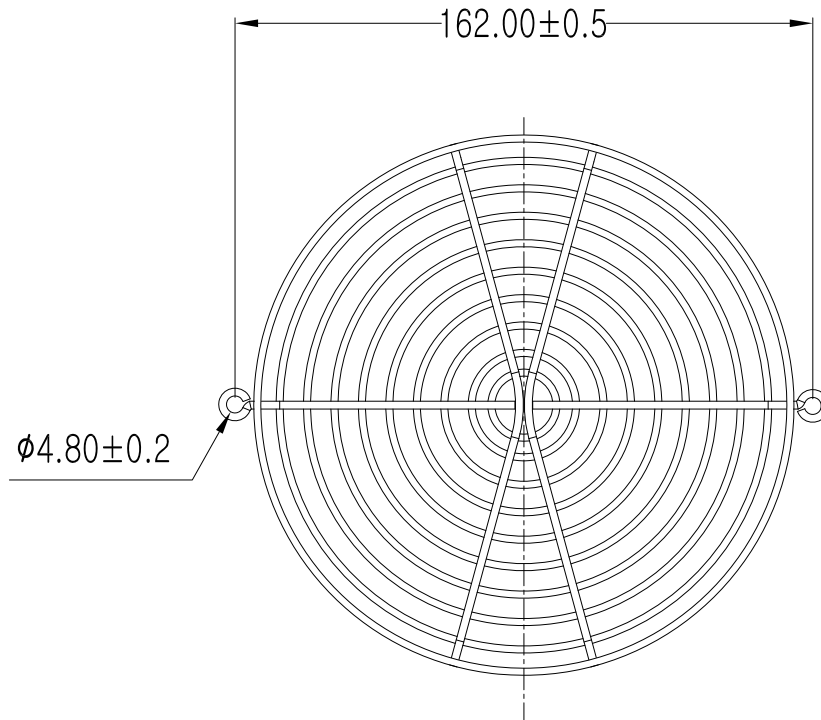


REVISED RECORD				
REV NO.	CONTENT	CHG BY	DATE	APPROVED BY
A0.		Gavin	2014/01/18	



Fits for Fan Size:

- 172\*150\*38mm    172\*150\*51mm
- φ172\*51mm    172\*151\*55mm

Specifications:

- \*Materials: Bright basic wire.
- \*Finish: bright nickel chrome plating.
- \* (1) Rings are φ1.8±0.1
- \* (2) Ribs are φ2.3±0.1
- \*Weld joints to withstand 88 lbs pull force.
- \*Part meets φ6.35mm plug gauge test.

*Product dimension Gen. Tol. : ±0.05*		Control Dimensions		x.xxx		For QC Check	
DWG REV	UNLESS OTHERWISE SPECIFIED TOLERANCES		<b>COOLTRON INDUSTRIAL SUPPLY, INC.</b> <b>COOLTRON®</b>				
	DATE						UNITS
	2014/01/18		MM				
A0	DRAWN	Gavin	DATE	2014/01/18	TITLE: FGW-162A-5		
A1	CHECKED		DATE		Drawing Number:		
A2	APPROVED		DATE		Process:	SCALE	1:1
A3	THIRD ANGLE		PROJECT		SHT OF A total of one page The first page		