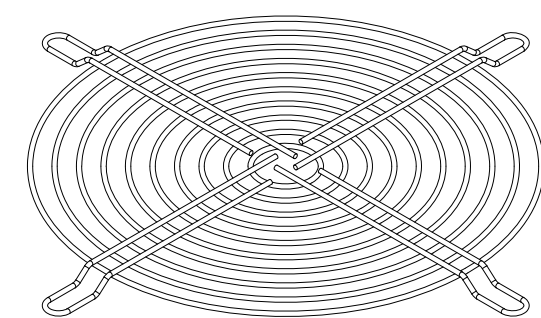
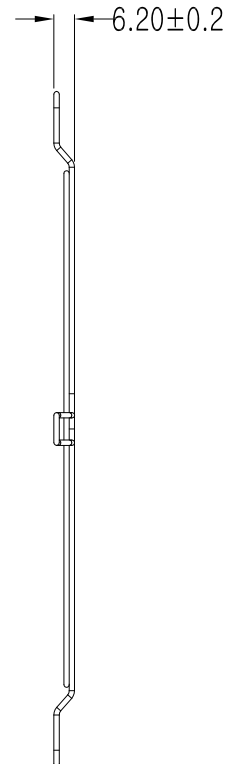
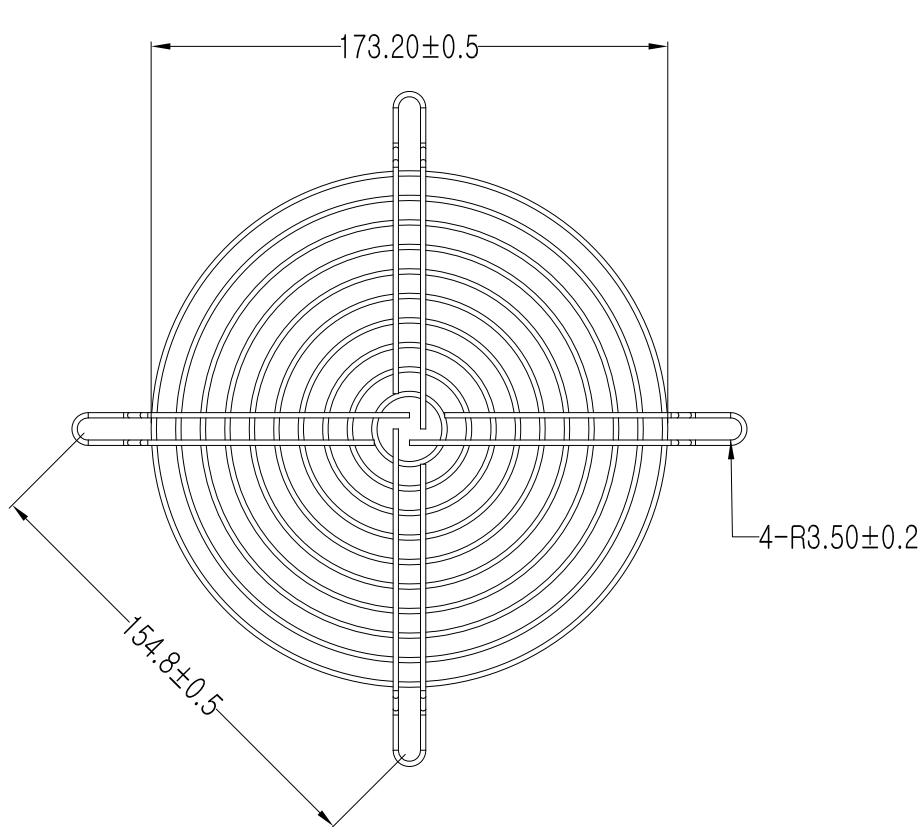


REVISED RECORD				
REV NO.	CONTENT	CHG BY	DATE	APPROVED BY
A0.		Gavin	2014/01/18	



Fits for Fan Size:

180*180*65mm 180*180*90mm

Specifications:

- *Materials: Bright basic wire.
- *Finish: bright nickel chrome plating.
- * (1) Rings are $\phi 1.8 \pm 0.1$
- * (2) Ribs are $\phi 1.8 \pm 0.1$
- *Weld joints to withstand 88 lbs pull force.
- *Part meets $\phi 6.35$ mm plug gauge test.

Product dimension Gen. Tol. : ±0.05		Control Dimensions		x.xxx For QC Check	
DWG REV	UNLESS OTHERWISE SPECIFIED TOLERANCES	COOLTRON INDUSTRIAL SUPPLY, INC.			
DATE	X.XXX/PL ± 0.127 X.XX ± 0.254 X.X* ± 0.5	UNITS	COOLTRON®		
2014/01/18	MM				
A0	DRAWN Gavin	DATE	2014/01/18	TITLE:	FGW-180A-1
A1	CHECKED	DATE		Drawing Number:	
A2	APPROVED	DATE		Process:	SCALE 1:1 SHT OF A total of one page The first page
A3	THIRD ANGLE	PROJECT			