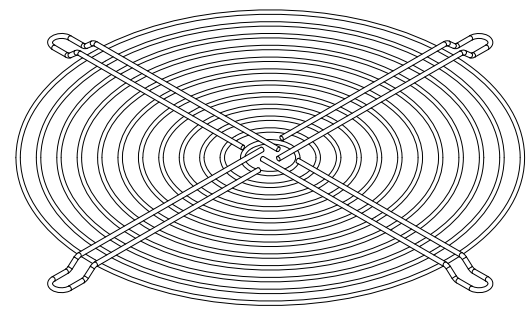
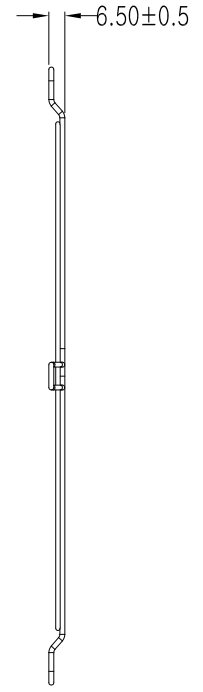
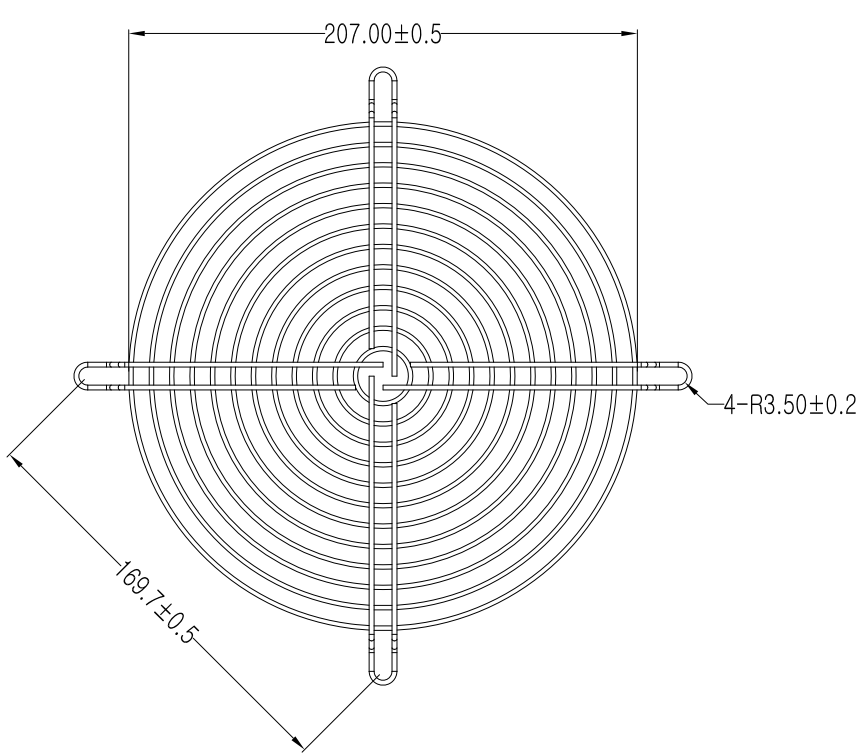


REVISED RECORD				
REV NO.	CONTENT	CHG BY	DATE	APPROVED BY
A0.		Gavin	2014/01/18	



Fits for Fan Size:
 200*200*60mm 225*225*80mm
 Specifications:
 *Materials: Bright basic wire.
 *Finish: bright nickel chrome plating.
 *(1) Rings are $\phi 1.8 \pm 0.1$
 *(2) Ribs are $\phi 2.0 \pm 0.1$
 *Weld joints to withstand 88 lbs pull force.
 *Part meets $\phi 6.35$ mm plug gauge test.

*Product dimension Gen. Tol. : ± 0.05 *		Control Dimensions		x.xxx		For QC Check	
DWG REV	UNLESS OTHERWISE SPECIFIED TOLERANCES		COOLTRON INDUSTRIAL SUPPLY, INC. 				
	DATE	X.XXX/FL ± 0.127 X.XX ± 0.254 X.X* ± 0.5					UNITS
A0	DRAWN	Gavin	DATE	2014/01/18	TITLE:	FGW-200A-1	
A1	CHECKED		DATE		Drawing Number:		
A2	APPROVED		DATE		Process:	SCALE	1:1
A3	THIRD ANGLE		PROJECT		SHT OF	1	OF 1