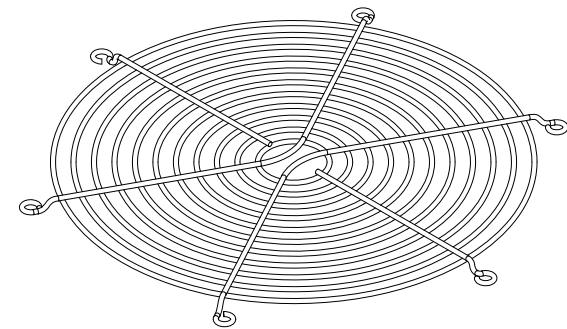
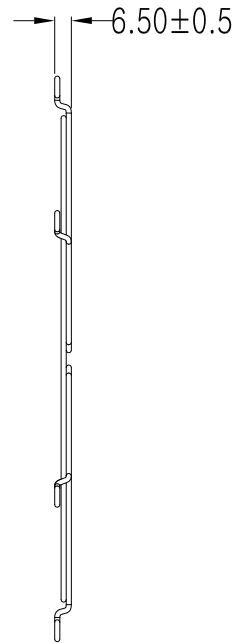
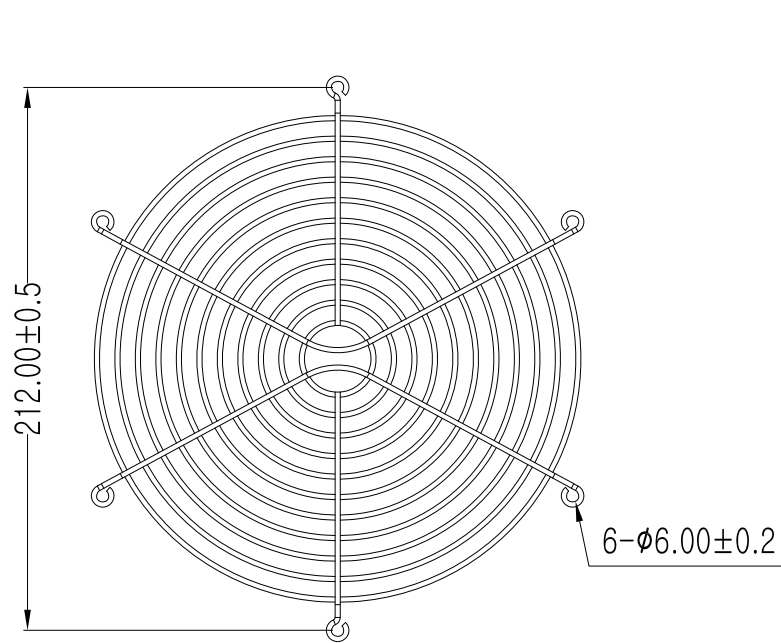


REVISED RECORD				
REV NO.	CONTENT	CHG BY	DATE	APPROVED BY
A0.		Gavin	2014/01/18	



Fits for Fan Size:

220*60mm 222*60mm

Specifications:

- *Materials: Bright basic wire.
- *Finish: bright nickel chrome plating.
- * (1) Rings are $\phi 1.8 \pm 0.1$
- * (2) Ribs are $\phi 1.8 \pm 0.1$
- *Weld joints to withstand 88 lbs pull force.
- *Part meets $\phi 6.35$ mm plug gauge test.

*Product dimension Gen. Tol. : ± 0.05 *		Control Dimensions		x.xxx For QC Check	
DWG REV	UNLESS OTHERWISE SPECIFIED	TOLERANCES		COOLTRON INDUSTRIAL SUPPLY, INC. COOLTRON®	
	DATE	X.XXXFL ± 0.127	UNITS		
	2014/01/18	X.XX ± 0.254	MM		
A0	DRAWN	Gavin	DATE	2014/01/18	TITLE: FGW-220A-1
A1	CHECKED		DATE		Drawing Number:
A2	APPROVED		DATE		Process: SCALE 1:1 SHT OF
A3	THIRD ANGLE		PROJECT		A total of one page The first page