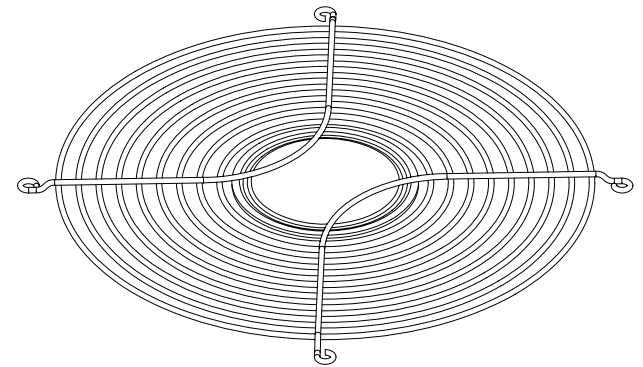
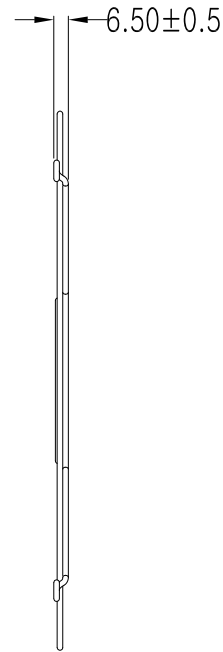
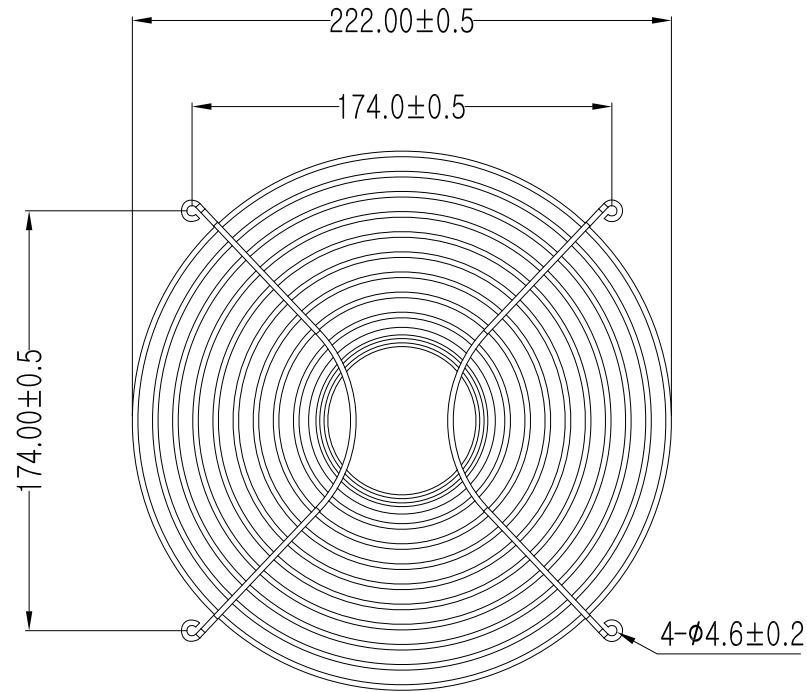


REVISED RECORD				
REV NO.	CONTENT	CHG BY	DATE	APPROVED BY
A0.		Gavin	2014/01/18	



Fits for Fan Size:

Ø254\*89mm

Specifications:

\*Materials: Bright basic wire.

\*Finish: bright nickel chrome plating.

\*(1) Rings are  $\phi 2.3 \pm 0.1$

\*(2) Ribs are  $\phi 2.3 \pm 0.1$

\*Weld joints to withstand 88 lbs pull force.

\*Part meets  $\phi 6.35$ mm plug gauge test.

*Product dimension Gen. Tol. : $\pm 0.05$ *		Control Dimensions		x.xxx		For QC Check	
DWG REV	UNLESS OTHERWISE SPECIFIED	TOLERANCES		<b>COOLTRON INDUSTRIAL SUPPLY, INC.</b> <b>COOLTRON®</b>			
	DATE	X.XXXFL $\pm 0.127$	UNITS				
	2014/01/18	X.XX $\pm 0.254$	MM				
A0	DRAWN	Gavin	DATE	2014/01/18	TITLE:	FGW-250A-1	
A1	CHECKED		DATE		Drawing Number:		
A2	APPROVED		DATE		Process:	SCALE	1:1
A3	THIRD ANGLE		PROJECT		SHT OF A total of one page The first page		