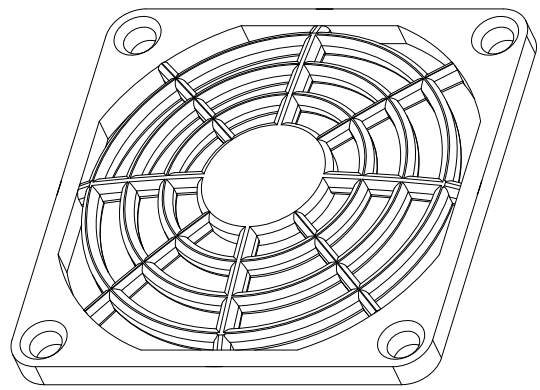
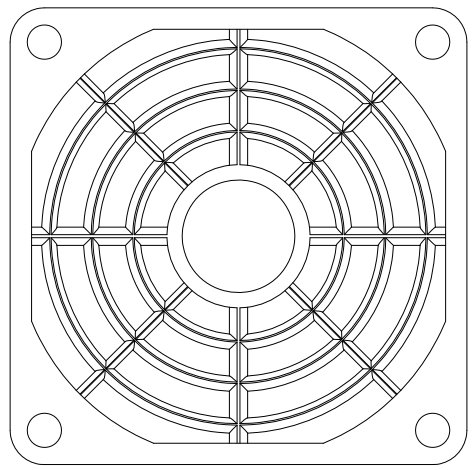
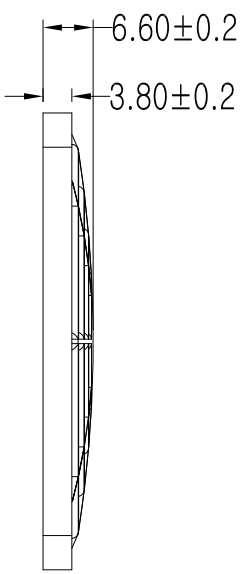
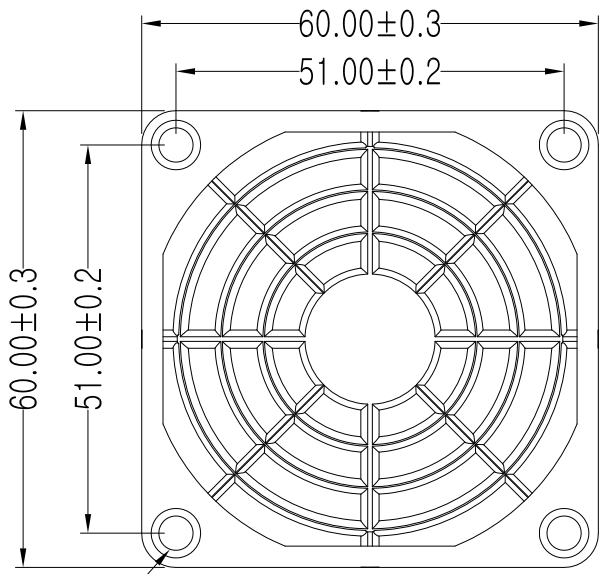


REVISED RECORD				
REV NO.	CONTENT	CHG BY	DATE	APPROVED BY
A0.		Gavin	2014/01/11	



4- $\phi 4.5 \pm 0.2$

Fits for Fan Size:

- 60*60*10mm 60*60*15mm 60*60*20mm
- 60*60*25mm 60*60*38mm

Specifications:

- *Materials: PP RoHs , UL rated 94V-0.
- *Ring spacing comply with safety agency Regulations.
- *Flat with Thru-hole style.
- *No Burr, Flash, Bruising, Scratches.
- *Product not deformation.

Product dimension Gen. Tol. : $\pm 0.05^$		Control Dimensions		x.xxx		For QC Check	
DWG REV	UNLESS OTHERWISE SPECIFIED TOLERANCES			COOLTRON INDUSTRIAL SUPPLY, INC. 			
	DATE	X.XXX/FL X.XX X.X*	± 0.127 ± 0.254 ± 0.5				
A0	DRAWN	Gavin	DATE	2014/01/11	TITLE:	PLASTIC FAN GUARD	
A1	CHECKED		DATE		Drawing Number:	FGP-060A-1	
A2	APPROVED		DATE		Process:	SCALE	1:1
A3	THIRD ANGLE		PROJECT		SHT	OF	1 OF 1