

PRODUCT SPECIFICATION FOR APPROVAL



CUSTOMER: _____

MODEL NO.: _____

DESCRIPTION: FD1751B48T3-61-2R
DC Fan, 172x150x51mm, 48VDC,
3400RPM, Dual Ball Bearing, Terminal
Lead, Auto Restart.

CUSTOMER CONFIRMATION SIGNATURE	COOLTRON SIGNATURE		
<div style="border: 1px solid black; padding: 5px; margin-bottom: 5px;">Please Confirmation your acceptance of this Approval sheet by return fax or email</div> <div style="border: 1px solid black; height: 40px; width: 100%;"></div>	APPROVED	CHECKED	PREPARED
	Kevin Zou 1/13/2014	Tony Xin 1/13/2014	Eric Zhang 1/13/2014
EDITION	V1.01		
REVISED DATE			

This offer is made according to your current inquiry. Unless otherwise revised, this specification will be final for all future production of orders from your respected company

Kindly study in details and return to us the duplicate duly signed as your confirmation of same.

COOLTRON Industrial Supply, Inc.

**Standards and Specifications
of
Model: FD1751B48T3-61-2R
(Auto Restart Protection)**



A. General Specification

Item		Specification / Standard / Condition	
01	Outline Dimension	172 x 150 x 51 mm	
02	Bearing	Dual Ball Bearing	
03	Rated Voltage	DC 48 V	
04	Operating Voltage	DC 24.0 V ~ DC 55.2 V	
05	Starting Voltage	DC 24.0 V	
06	Rated Current (Max.)	0.50 A	1. 25°C, 2. 65% RH
07	Actual Current	0.38 A	
08	Power Consumption	18.24 W (Max. 24.00W)	
09	Rated Speed	3400 R.P.M. ± 10%	1. Free Air 2. Rated Voltage 3. 25°C, 65% RH 4. After 10 Min. Rotating.
10	Maximum Airflow	235.40 CFM	1. Rated Voltage 2. AMCA Standard 3. Rated Speed
11	Maximum Static Pressure	23.60 mm-H ₂ O	
12	Noise Level	58.10 dB (A)	1. Rated Voltage 2. Measured in a Non-Echo Chamber 3. CNS 8753 Standard 4. ISO 3744 Test Condition
13	Life Expectancy	70,000 Hrs. at 40°C	1. L10 at Conf. Level 90%, 2. Rated Voltage
14	Net Weight	735 Gram	
15	Number of Blade	5 Blades	
16	Number of Pole	4 Poles	
17	Rotating Direction	Counter-Clockwise	Looking at Rotor Side
18	Plastic Material: Housing, Blade	Housing: Plastic UL 94V-0 P.B.T. Blade: Plastic UL 94V-0 P.B.T.	
19	Lead Wire	Terminal Lead	
20	Special Function	Without	

B. Electrical Specification

Item		Specification / Condition	
01	Locked Rotor Protection	✓	Safety Condition
		✓	a. Auto power off after locked at rated voltage for 1 sec. b. After auto power off, circuit attempt to restart in 2-6 sec.
02	Polarity Protection	✓	a. Circuit is protected when VCC & GND are exchanged, b. The circuit won't be burned within 5 seconds.
03	Insulation Resistance	✓	10 m.Ohm / between unshielded wire and frame at 500 VDC/min.
04	Dielectric Strength	✓	5 mA Maximum. / Measured between lead wire (+) and frame at 500 VAC/min.

COOLTRON Industrial Supply, Inc.

19929 Harrison Ave., Industry, CA 91789 Tel: 909-598-6033 Fax: 909-598-6043 www.cooltron.com

C. Environmental Specification

Item		Specification / Condition
01	Operating Condition	Temperature: -10°C ~ +70°C Humidity: 35% ~ 85% RH
02	Storage Temperature	Temperature: -40°C ~ +70°C Humidity: 35% ~ 85% RH
03	Test of high & low Temperature	Test Circulation at -10°C & 70°C two times per 4 hours
04	Packing Vibration Test	Packing condition: X, Y, Z 3 directions, 1.1G load vibration test for 30 min.
05	Packing Shock Proof Test	1 corner, 3 edges, 6 faces natural drop from 60cm high, packed

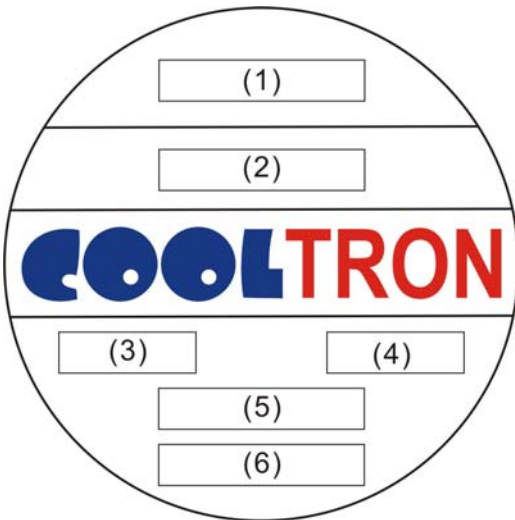
D. Safety Approvals



Safety Approval	File No.
CE	TB10088262
UL	E194726
CUL	E194726
TUV	R50048194

E. Label Marking

01: Fan Label Marking



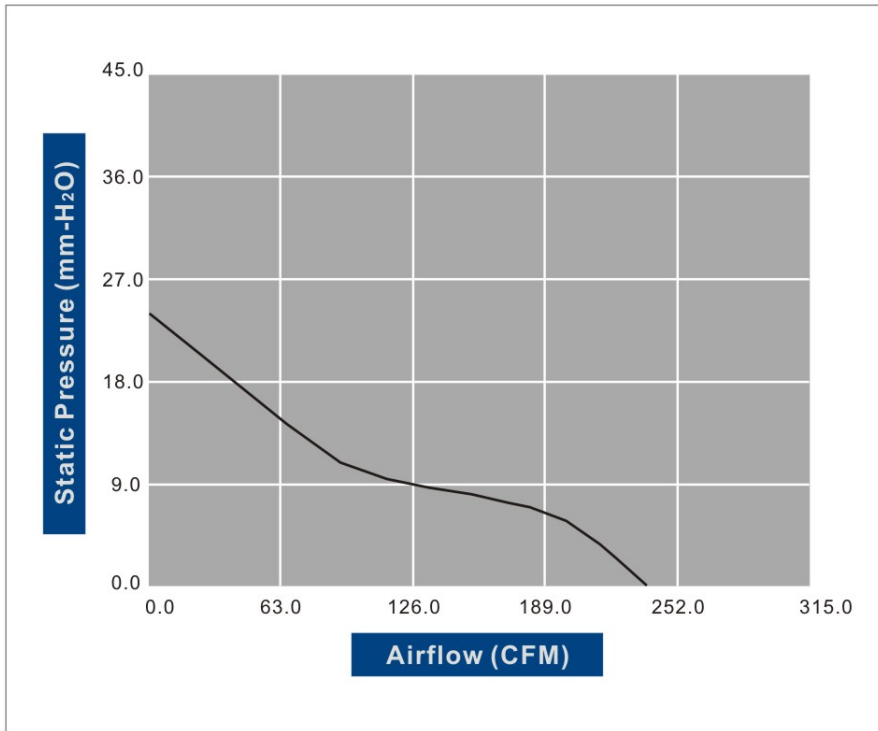
(1)	Safety Approval
(2)	Model Number & Appendix Code
(3)	Rated Voltage
(4)	Power Consumption
(5)	Bearing Type
(6)	Location

02: RoHS Label Marking:

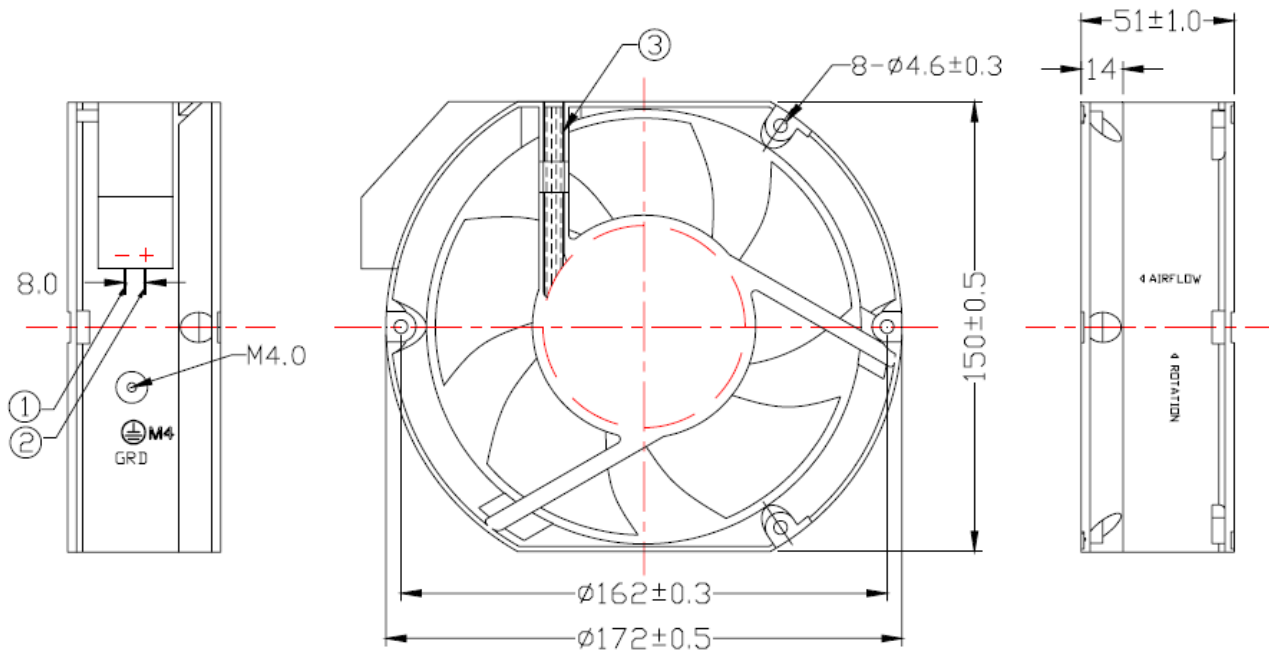


Label	Location
RoHS & Date Code	Fan Outlet Frame

F. Air Flow Performance Curve



G. Model Drawing



No.	Qty	Part Name	Description
① ②	2	PIN Terminal	L=9.0,W=3.2,T=0.5
③	1	PVC TUBE	Black

H. Fan Photos



FD1751-61



REMARKS

1. COOLTRON will not assume responsibility for the performance of the products if the application conditions fall outside the parameters stated forth in this specification.
2. A written request should be submitted to COOLTRON prior to approval if abnormality and deviation from this specification is required.
3. Please be cautious when fan is being exercised or handled. Damages may be resulted when apply pressure to the impeller or hold the fan by the lead wires or drop the fans to the production platform.
4. With exception of suitability of some particular designs, any failure and problems regarding safety of the product caused by the introduction of powder, droplets of water or encroachment of insert in the hub are not guaranteed.
5. All general specifications and quality values are measured under condition of free air and fan vertical set up. COOLTRON highly suggests practicing a test when fan apply to a special application.
6. COOLTRON fans are not suitable to be used in an environment that contains aggressive or corrosive fluids.
7. Always ensure that fans are stored according to the storage temperatures specified. Do not store in an environment with a high humidity level. If the fans were stored for longer than 6 months, it is highly recommended to apply functional testing before shipping.
8. Except for the feature of the Lock Rotor Protection specifically stated, this feature is not applied to all fans. COOLTRON highly suggests not to stop the impellers of the working fans such interruption will cause adverse effect.
9. During installation, please be cautious. COOLTRON is not responsible for any excess resonance, vibration and subsequent noise caused by incorrect mounting of fans.
10. During testing it is important to consider safety at all times. A suitable guard should be fitted to the fan to prevent personal injury.
11. All test environments are conducted under the condition of relative (ambient) temperature and humidity at 25°C, 65%RH. The test result stated above is effective only for unique fan performance.
12. The above conditions are examples of extreme application. However they are very important and should receive top priority.