

**Standards and Specifications
of**

**Model: FD8025B12W11-3R21
(with upgrade IC) (RoHS Compliance)**

A. General Specification

Item	Specification / Standard / Condition	
Customer's PN	Argus 500-041-10	
Outline Dimension	80 mm x 80 mm x 25 mm	
Bearing	Dual Ball Bearing	
Rated Voltage	DC 12 V	Tolerance: ±10%
Starting Voltage	DC 7.0 V	
Rated Current	0.45 A	
Power Consumption	5.4 W	
Speed	4500 R.P.M.	1. Free Air 2. Rated Voltage 3. 25°C, 65% RH 4. Tolerance: ±10%
Maximum Airflow	59.2 CFM	1. Rated Voltage 2. AMCA Standard 3. Rated Current
Maximum Static Pressure	8.5 mm-H ₂ O	
Noise Level	44 dB (A)	1. Rated Voltage 2. Measured in a Non-Echo Chamber 3. CNS 8753 Standard 4. ISO 3744 Test Condition
Fan Life	75,000 hrs	MTTF (Mean Time To Failure), Confidence Level 90%, 40°C
Number of Blade	7 Blades	
Number of Pole	4 Poles	
Rotating Direction	Counter-Clockwise	
Plastic Material: Blade, Housing, Bobbin	1. UL 94V-0 2. P.B.T. + 30% GF Black	
Lead Wire	AWG #24 for 3 wires, UL1007, length 300 mm.	Red: (+) Black: (-) Yellow: Tachometer wire
Connector	N/A	

B. Electrical Specification

Item	Specification / Condition
Locked Rotor Protection	a. Auto power off after locked at rated voltage for 1 sec. b. After auto power off, circuit attempt to restart in 2-6 sec.
Polarity Protection	Circuit is protected when V _{CC} & GND are exchanged.
Insulation Resistance	10 m.Ω / between unshielded wire and frame at 500 VDC/min.
Dielectric Strength	5 mA Maximum. / Measured between lead wire + and frame at 500 VAC/min.

C. Environmental Specification

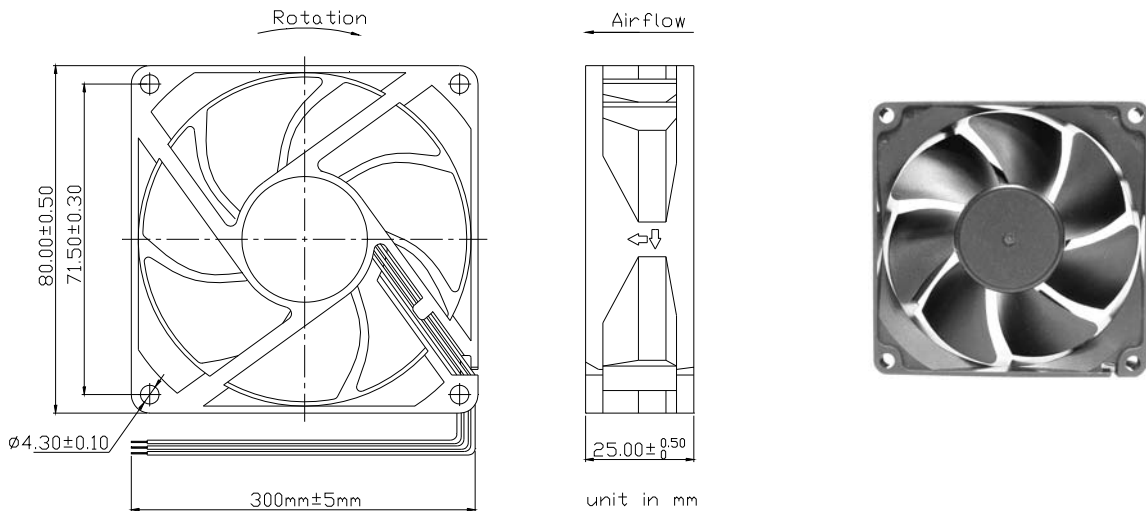
Item	Specification / Condition
Operating Condition	Temperature: -10°C ~ + 70°C Humidity: 35% ~ 85% RH
Storage Temperature	Temperature: -40°C ~ + 80°C Humidity: 35% ~ 85% RH
Humidity	Per MIL-STD-202F Method 103B Life: 96 hours Humidity: 95% Temperature: +40 ± 2°C
Thermal Shock	Per MIL-STD-202F Method 107D, Condition D
Packing Vibration Test	Packing condition: X, Y, Z 3 directions, 1.1G load vibration test for 30 min.
Packing Shock Proof Test	1 corner, 3 edges, 6 faces natural drop from 60cm high, packed



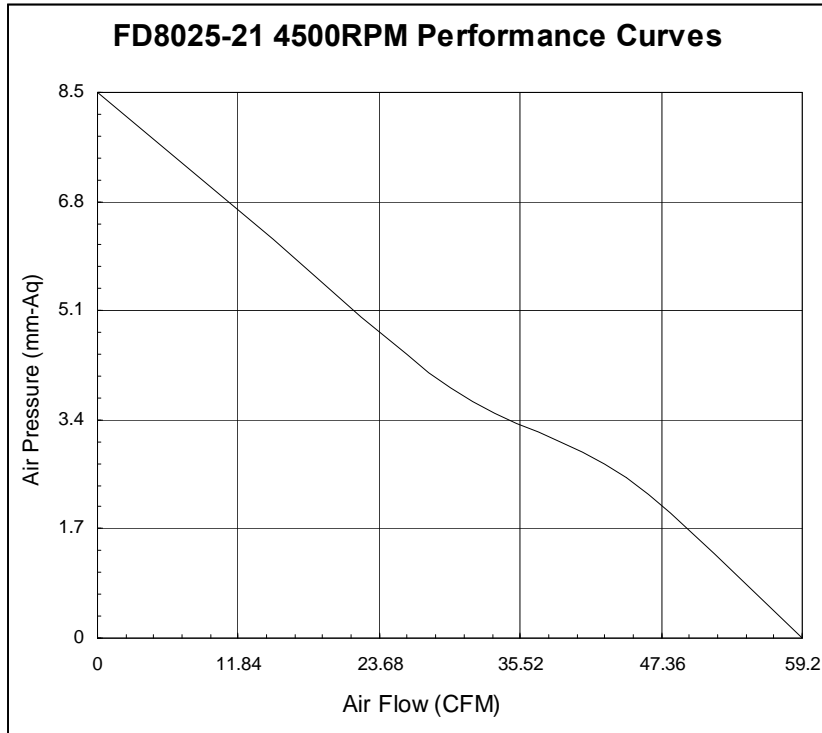
D. Safety Approvals

Safety Approval	File No.
UL	E194726
CUL	E194726
TUV	R2054644

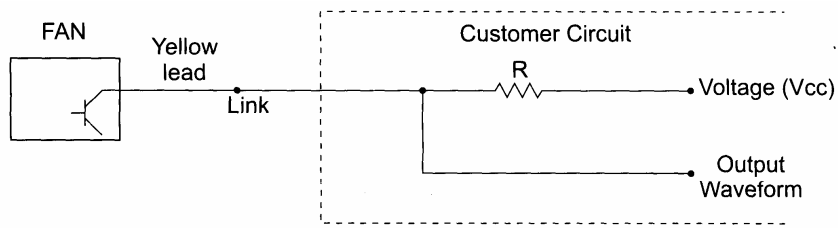
E. Model Drawing



F. Air Flow Performance Curve



G. Tachometer (Speed Sensor)



** Please select "R" to make "Link" less than 10mA ** * Vcc: 30V MAX , Link: 10mA MAX

Output Waveform

