

DC AXIAL FAN 80x80x15mm



Housing/Blade: Thermoplastic PBT, UL 94V-0
 Insulation Resistance: 10MΩ, 500VDC/min between bare wire and frame
 Dielectric Strength: 5mA max. 500VAC/min between bare wire and frame
 Operation Temperature: -10°C~70°C(Humidity 35%-85%RH)
 Storage Temperature: -40°C~80°C(Humidity 35%-85%RH)
 Lead Wire: UL Type #24 AWG
 Weight: 54 g Packing: 100PCS/CTN

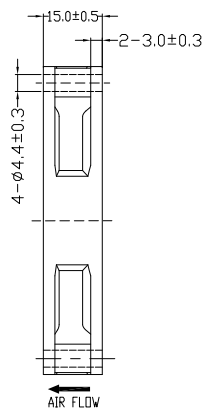
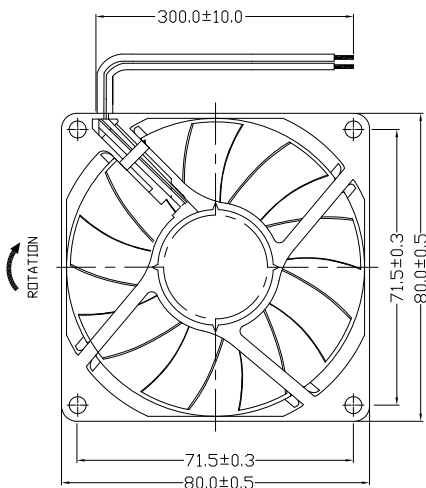


DC Axial Fans

Model Number		Voltage (VDC)	Op.Voltage (VDC)	AirFlow (CFM)	StaticPres. (mm-H ₂ O)	Noise (dBA)	Speed (RPM)	Current (mA)	Power (W)	Available Bearing	Curves
FD8015B12W3-61	★▲	12	6.0~13.8	21.70	1.50	24.60	2,000	90	1.08	B,S	①
FD8015B12W5-61	★▲	12	6.0~13.8	27.60	2.20	29.60	2,500	140	1.68	B,S	②
FD8015B12W7-61	★▲	12	6.0~13.8	33.20	3.20	34.50	3,000	170	2.04	B,S	③
FD8015B24W9-61	★▲	12	6.0~13.8	45.10	5.90	43.30	4,100	270	3.24	B,S	④
FD8015B24W3-61	★▲※	24	12.0~27.6	21.70	1.50	24.60	2,000	100	2.40	B,S	①
FD8015B24W5-61	★▲※	24	12.0~27.6	27.60	2.20	29.60	2,500	130	3.12	B,S	②
FD8015B24W7-61	★▲※	24	12.0~27.6	33.20	3.20	34.50	3,000	150	3.60	B,S	③

- For "Fluid Lubricant" bearing version, change the "B" in the model number to "S".
- If model depicts "★", auto restart protection function built in.
- If model depicts "▲", polarity protection function built in.
- If model depicts "※", UL and TUV approvals can be implemented upon request.

Specifications are subject to change without notice



unit: mm

