

DC AXIAL FAN 120x120x25mm



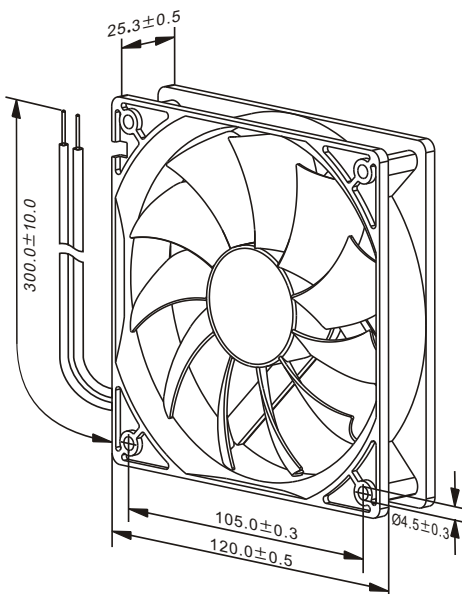
Housing/Blade: Thermoplastic PBT, UL 94V-0
 Insulation Resistance: 10MΩ, 500VDC/min between bare wire and frame
 Dielectric Strength: 5mA max, 500VAC/min between bare wire and frame
 Operation Temperature: -10°C~70°C(Humidity 35%-85%RH)
 Storage Temperature: -40°C~75°C(Humidity 35%-85%RH)
 Lead Wire: UL Type #24 AWG
 Weight: 143 g Packing: 60PCS/CTN



Model Number	Voltage (VDC)	Op.Voltage (VDC)	Air Flow (CFM)	Static Pres. (mm-H ₂ O)	Noise (dBA)	Speed (RPM)	Current (mA)	Power (W)	Available Bearing	Curves
FD1225B12W3-75	12	7.0~13.8	56.70	1.30	30.70	1,400	330	3.96	B,S	①
FD1225B12W5-75A	12	7.0~13.8	72.90	2.10	36.10	1,800	450	5.40	B,S	②
FD1225B12W5-75B	12	7.0~13.8	89.10	3.10	40.50	2,200	450	5.40	B,S	③
FD1225B12W7-75	12	7.0~13.8	105.30	4.30	44.10	2,600	580	6.96	B,S	④
FD1225B24W3-75	24	12.0~25.6	56.70	1.30	30.70	1,400	140	3.36	B,S	①
FD1225B24W5-75A	24	12.0~25.6	72.90	2.10	36.10	1,800	200	4.80	B,S	②
FD1225B24W5-75B	24	12.0~25.6	89.10	3.10	40.50	2,200	200	4.80	B,S	③
FD1225B24W7-75	24	12.0~25.6	105.30	4.30	44.10	2,600	280	6.72	B,S	④

• For "Sleeve" bearing version, change the "B" in the model number to "S".

Specifications are subject to change without notice



unit: mm

