

DC AXIAL FAN 38x38x28mm

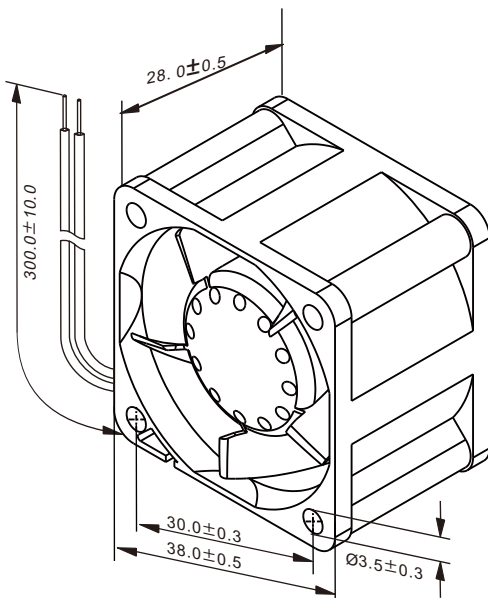


Housing/Blade: Thermoplastic PBT, UL 94V-0
Insulation Resistance: 10M Ω , 500VDC/min between bare wire and frame
Dielectric Strength: 5mA max. 500VAC/min between bare wire and frame
Operation Temperature: -10°C~70°C(Humidity 5%~90%RH)
Storage Temperature: -40°C~75°C(Humidity 5%~95%RH)
Lead Wire: UL Type #26 AWG
Weight: 40 g **Packing:** 400PCS/CTN

Model Number	Voltage (VDC)	Op.Voltage (VDC)	AirFlow (CFM)	StaticPres. (mm-H ₂ O)	Noise (dBA)	Speed (RPM)	Current (mA)	Power (W)	Available Bearing	Curves
FD3828B12W3-87	★▲ 12	7.0~13.2	9.50	10.0	37.40	8,000	150	1.80	B	①
FD3828B12W5-87	★▲ 12	7.0~13.2	12.70	16.2	43.30	10,000	220	2.64	B	②
FD3828B12W7-87	★▲ 12	7.0~13.2	16.50	26.3	50.20	13,000	380	4.56	B	③
FD3828B12W9-87	★▲ 12	7.0~13.2	19.50	35.3	54.20	15,000	650	7.80	B	④
FD3828B12W11-87	★▲ 12	7.0~13.2	21.1	43.0	58.10	17,000	850	10.20	B	⑤

- If model depicts "★", auto restart protection function built in.
- If model depicts "▲", polarity protection function built in.

Specifications are subject to change without notice



unit: mm

