

PRODUCT SPECIFICATION FOR APPROVAL



CUSTOMER: Zebra Technologies Corporation
REF. NO.: _____
MODEL NO.: FD4015B24W5-61-2RSC1
DESCRIPTION: DC Fan, 40x40x15mm, 24VDC,
2Ball Bearing, twist wire
with JST# EHR-2
& SEH-001T-P0.6

CUSTOMER CONFIRMATION SIGNATURE	COOLTRON SIGNATURE								
<div style="border: 1px solid black; padding: 5px; margin-bottom: 5px;"> Please Confirmation your acceptance of this Approval sheet by return fax or email </div> <div style="border: 1px solid black; height: 60px; width: 100%;"></div>	<table border="1" style="width: 100%; text-align: center;"> <tr> <td style="width: 33%;">APPROVED</td> <td style="width: 33%;">CHECKED</td> <td style="width: 33%;">PREPARED</td> </tr> <tr> <td>Kevin Zou 6/29/2011</td> <td>Tony Li 6/29/2011</td> <td>Eric Zhang 6/29/2011</td> </tr> </table>	APPROVED	CHECKED	PREPARED	Kevin Zou 6/29/2011	Tony Li 6/29/2011	Eric Zhang 6/29/2011		
APPROVED	CHECKED	PREPARED							
Kevin Zou 6/29/2011	Tony Li 6/29/2011	Eric Zhang 6/29/2011							
EDITION	V1.02								
REVISED DATE	6/29/2011								

This offer is made according to your current inquiry. Unless otherwise revised, this specification will be final for all future production of orders from your respected company

Kindly study in details and return to us the duplicate duly signed as your confirmation of same.



**Standards and Specifications
of
Model: FD4015B24W5-61-2RSC1
(Auto Restart Protection)**

A. General Specification

Item	Specification / Standard / Condition	
Outline Dimension	40 mm x 40 mm x 15 mm	
Bearing	Dual Ball Bearing.	
Rated Voltage	DC 24V	
Operating Voltage	DC12.00V ~ DC27.6V	
Starting Voltage	DC12.00V	1. Rated Voltage 2. 25°C, 65% RH
Rated Current	0.10A	
Power Consumption	2.40W	
Speed	6500R.P.M.	1. Free Air 2. Rated Voltage 3. 25°C, 65% RH 4. Tolerance: ± 10%
Maximum Airflow	8.30CFM	1. Rated Voltage 2. AMCA Standard 3. Rated Current
Maximum Static Pressure	5.20mm-H ₂ O	
Noise Level	29.10 dB (A)	1. Rated Voltage 2. Measured in a Non-Echo Chamber 3. CNS 8753 Standard 4. ISO 3744 Test Condition
Life	70,000 hrs	25°C, L10 at Conf. Level 90%,Rated Voltage
Net Weight	23.5g	
Number of Blade	7 Blades	
Number of Pole	4 Poles	
Rotating Direction	Counter-Clockwise	
Plastic Material: Blade, Housing, Bobbin	1. UL 94V-0 2. P.B.T. + 30% GF Black	
Lead Wire	UL 1007, 26AWG	Red: (+) Black: (-)
Connector	JST EHR-2 Connector & JST SEH-001T-P0.6 Terminals	

B. Electrical Specification

Item	Specification / Condition
Locked Rotor Protection	a. Auto power off after locked at rated voltage for 1 sec. b. After auto power off, circuit attempt to restart in 2-6 sec.
Polarity Protection	Circuit is protected when V _{CC} & GND are exchanged.
Insulation Resistance	10m.Ohm / between unshielded wire and frame at 500 VDC/min.
Dielectric Strength	5 mA Maximum. / Measured between lead wire + and frame at 500 VAC/min.

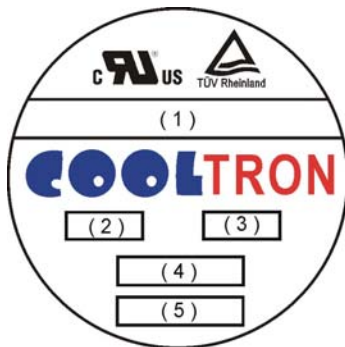
C. Environmental Specification

Item	Specification / Condition
Operating Condition	Temperature: -10°C ~ + 70°C Humidity: 35% ~ 85% RH
Storage Temperature	Temperature: -40°C ~ +70°C Humidity: 35% ~ 85% RH
Humidity	Per MIL-STD-202F Method 103B Life: 96 hours Temperature: +40 ± 2°C
Thermal Shock	Per MIL-STD-202F Method 107D, Condition D
Packing Vibration Test	Packing condition: X, Y, Z 3 directions, 1.1G load vibration test for 30 min.
Packing Shock Proof Test	1 corner, 3 edges, 6 faces natural drop from 60cm high, packed

D. Safety Approvals

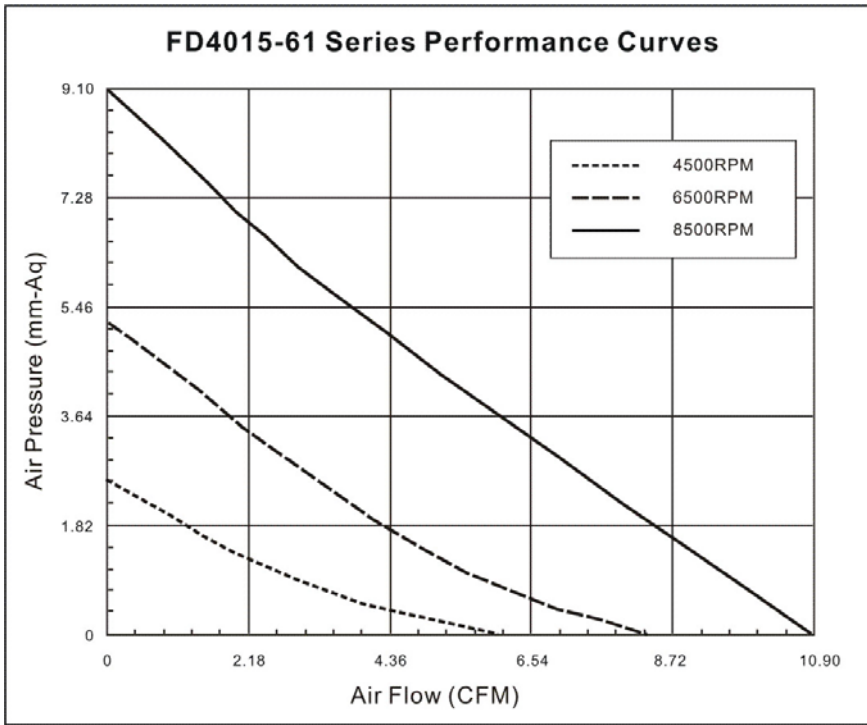
Safety Approval	File No.
UL	E194726
CUL	E194726
TUV	B 05 11 57907

E. Label Marking

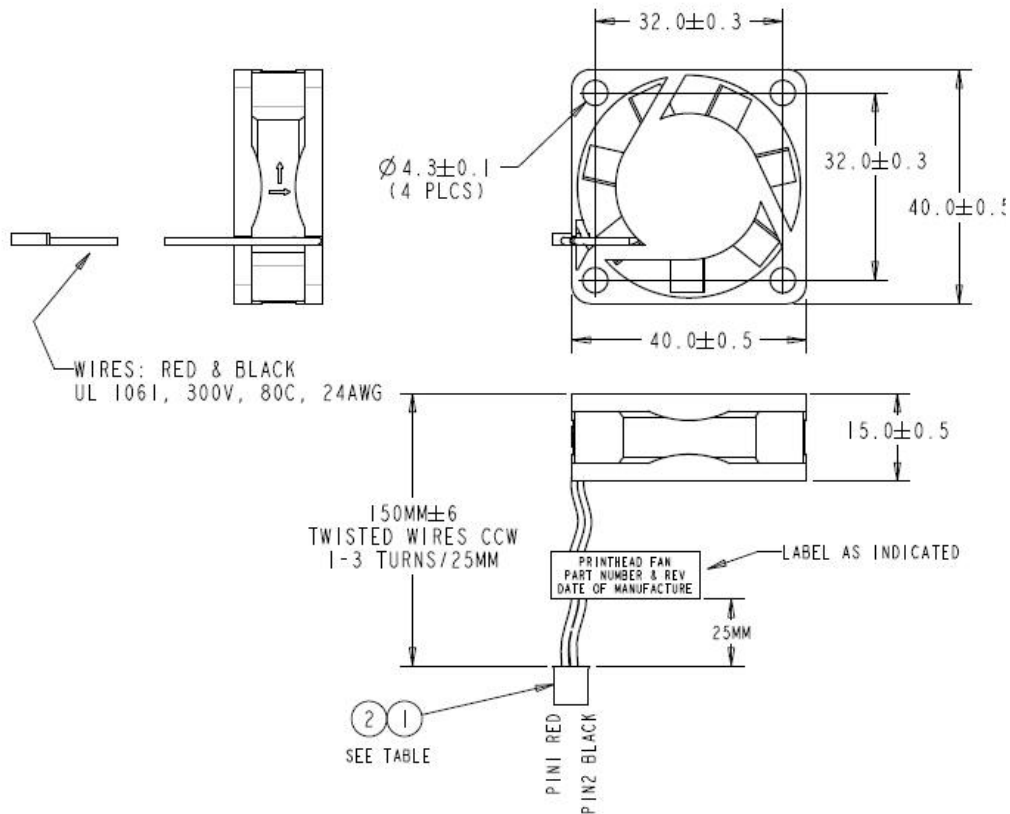


(1)	Model Number
(2)	Rated Voltage
(3)	Power Consumption
(4)	Bearing Type
(5)	Location

F. Air Flow Performance Curve



E Model Drawing Assemble Way: Refer to Zebra drawing# 211190-001 - REV G



G. Wire position of connector



H. Fan Photos

