

# DC AXIAL FAN 80x80x20mm

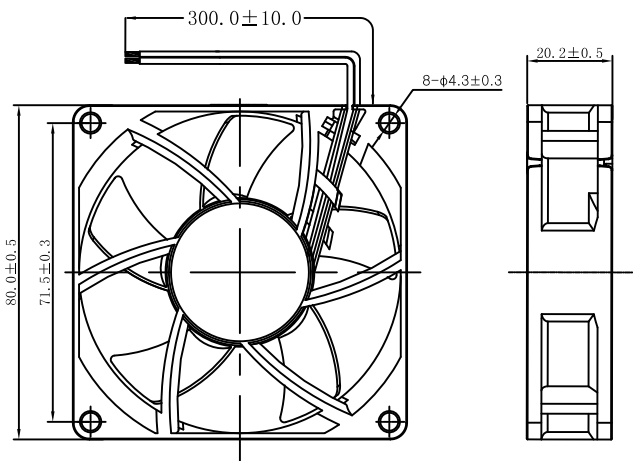


**Housing/Blade:** Thermoplastic PBT, UL 94V-0  
**Insulation Resistance:** 10MΩ, 500VDC/min between bare wire and frame  
**Dielectric Strength:** 5mA max. 500VAC/min between bare wire and frame  
**Operation Temperature:** -10°C~70°C(Humidity 35%-85%RH)  
**Storage Temperature:** -40°C~75°C(Humidity 35%-85%RH)  
**Lead Wire:** UL Type #26 AWG  
**Weight:** 61 g      **Packing:** 100PCS/CTN

Model Number		Voltage (VDC)	Op.Voltage (VDC)	Air Flow (CFM)	Static Pres. (mm-H <sub>2</sub> O)	Noise (dBA)	Speed (RPM)	Current (mA)	Power (W)	Available Bearing	Curves
FD8020B12W3-64	★▲	12	6.0~13.2	30.80	2.30	29.10	2,500	63	0.76	B	①
FD8020B12W5-64	★▲	12	6.0~13.2	37.90	3.30	31.40	3,000	78	0.94	B	②
FD8020B12W7-64	★▲	12	6.0~13.2	44.90	4.60	35.00	3,500	100	0.12	B	③
FD8020B12W9-64	★▲	12	6.0~13.2	57.50	7.40	41.40	4,500	155	1.86	B	④
FD8020B24W3-64	★▲	24	12.0~26.4	31.30	2.30	29.10	2,500	100	2.40	B	①
FD8020B24W5-64	★▲	24	12.0~26.4	37.90	3.30	31.40	3,000	120	2.88	B	②
FD8020B24W7-64	★▲	24	12.0~26.4	44.90	4.60	35.00	3,500	150	3.60	B	③
FD8020B24W9-64	★▲	24	12.0~26.4	57.50	7.40	41.40	4,500	250	6.00	B	④

- If model depicts "★", auto restart protection function built in.
- If model depicts "▲", polarity protection function built in.

Specifications are subject to change without notice



unit: mm

