

**DC AXIAL FAN**  
**80x80x38mm**  
**(Stator Outlet Blade)**



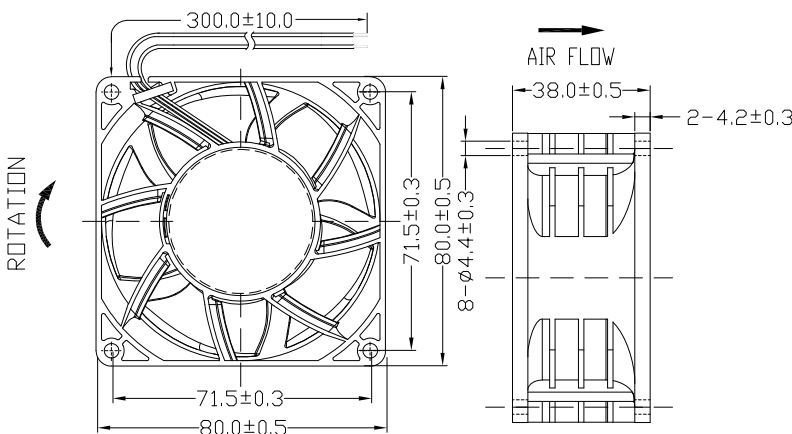
**Housing/Blade:** Thermalplastic PBT, UL 94V-0  
**Insulation Resistance:** 10MΩ, 500VDC/min between bare wire and frame  
**Dielectric Strength:** 5mA max. 500VAC/min between bare wire and frame  
**Operation Temperature:** -10°C~70°C(Humidity 35%-85%RH)  
**Storage Temperature:** -40°C~80°C(Humidity 35%-85%RH)  
**Lead Wire:** UL Type #24 AWG  
**Weight:** 180 g      **Packing:** 60PCS/CTN



Model Number		Voltage (VDC)	Op.Voltage (VDC)	AirFlow (CFM)	StaticPres. (mm-H <sub>2</sub> O)	Noise (dBA)	Speed (RPM)	Current (mA)	Power (W)	Available Bearing	Curves
FD8038B12W3-63	★▲	12	6.0~13.8	62.40	12.60	48.30	4,500	450	5.40	B	①
FD8038B12W5-63	★▲	12	6.0~13.8	84.70	22.10	56.10	6,000	850	10.20	B	②
FD8038B12W7-63	★▲	12	6.0~13.8	106.80	35.30	62.10	7,500	1550	18.60	B	③
FD8038B12W9-63	★▲	12	6.0~13.8	125.10	50.80	66.00	9,000	2800	33.60	B	④
FD8038B24W3-63	★▲	24	12.0~27.6	62.40	12.60	48.30	4,500	250	6.00	B	①
FD8038B24W5-63	★▲	24	12.0~27.6	84.70	22.10	56.10	6,000	450	10.80	B	②
FD8038B24W7-63	★▲	24	12.0~27.6	106.80	35.30	62.10	7,500	780	18.72	B	③
FD8038B24W9-63	★▲	24	12.0~27.6	125.10	50.80	66.00	9,000	1400	33.60	B	④
FD8038B48W3-63	★▲	48	24.0~55.2	62.40	12.60	48.30	4,500	180	8.64	B	①
FD8038B48W5-63	★▲	48	24.0~55.2	84.70	22.10	56.10	6,000	280	13.44	B	②
FD8038B48W7-63	★▲	48	24.0~55.2	106.80	35.30	62.10	7,500	450	21.60	B	③
FD8038B48W9-63	★▲	48	24.0~55.2	125.10	50.80	66.00	9,000	750	36.00	B	④

- If model depicts "★", auto restart protection function built in.
- If model depicts "▲", polarity protection function built in.

Specifications are subject to change without notice



unit: mm

