

DC Axial Compact Fan Ø280x80mm

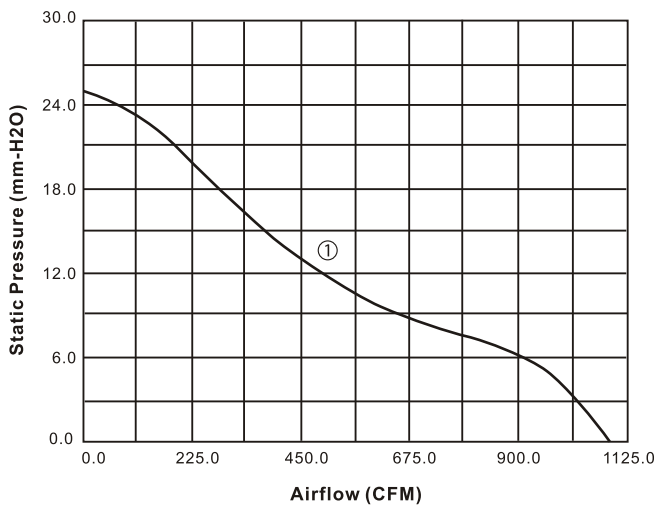


Impeller:	Plastic PA6.6+GF
Motor:	DC Brushless External Rotor Motor
Rotor:	Original Aluminum Sheet Color
Bearing:	Dual Ball Bearing
Insulation:	Class "A" or "B"
Technical Features:	PWM Speed Control; Alarm Output; Locked Rotor Protection; Soft Start.
Operating Temp.:	-20°C to +60°C
Weight:	2500 g

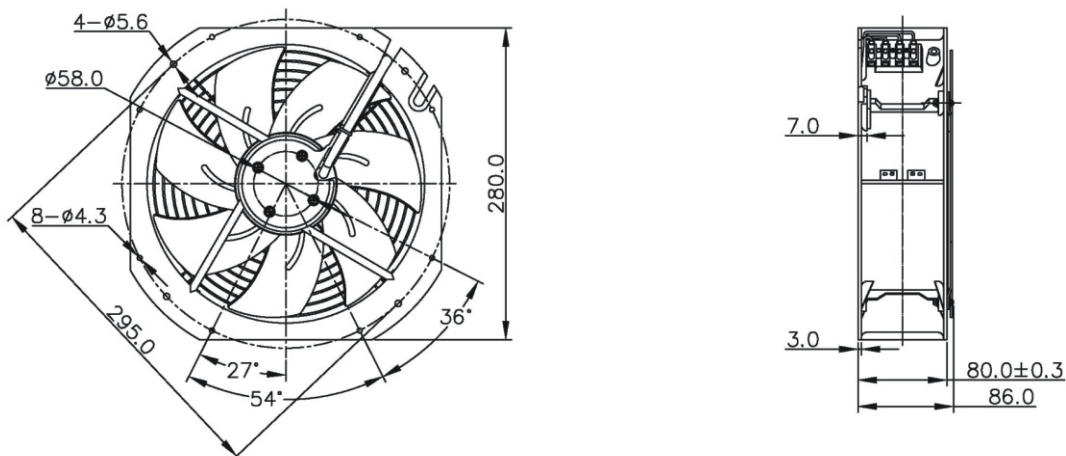
Model Number	Voltage (VDC)	Op.Voltage (VDC)	AirFlow (CFM)	AirFlow (m ³ /H)	StaticPres. (mm-H ₂ O)	StaticPres. (inH ₂ O)	Noise (dBA)	Speed (RPM)	Current (A)	Power (W)	Curves
FD28080B24W7-57	24	16.0~28.0	1099.70	1868.30	25.10	1.00	67.70	2,600	4.8	115.20	①
FD28080B48W7-57	48	36.0~56.0	1099.70	1868.30	25.10	1.00	67.70	2,600	2.4	115.20	①

Specifications are subject to change without notice

Characteristic Curves:



Outline Drawing:



unit: mm