

AC AXIAL FAN 175x151x51mm

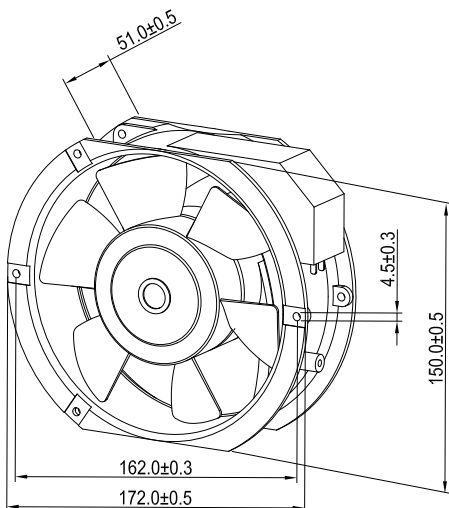


Housing: Aluminum Housing
Blade: Steel Impeller
Insulation Resistance: 100MΩ, 500VDC/min between bare wire and frame
Dielectric Strength: 1500VAC for one minute
Operation Temperature: -20°C+70°C(Humidity 35%-85%RH)
Storage Temperature: -40°C+80°C(Humidity 35%-85%RH)
Motor Protection: Thermally Protected
Weight: 940/1080 g **Packing:** 12PCS/CTN



Model Number	Voltage (VAC)	Frequency (Hz)	AirFlow (CFM)	Stat.Pres. (mm-H ₂ O)	Noise (dBA)	Speed (RPM)	Current (mA)	Power (W)	Available Bearing	Curves
FA1751B11T3C-55 *	115	50/60	137.0/124.8	3.3/2.9	46.3/44.3	1,800/1,700	70/70	8/9	B	①/②
FA1751B11T5C-55 *	115	50/60	176.6/176.6	6.7/5.3	50.2/50.2	2,400/2,350	120/150	14/17	B	③/④
FA1751B11T7C-55	115	50/60	213.2/253.8	14.2/15.7	52.2/58.1	2,700/3,100	250/210	27/25	B	⑤/⑥
FA1751B11T9C-55	115	50/60	223.3/263.9	16.7/20.3	54.2/60.1	2,800/3,300	270/230	26/26	B	⑦/⑧
FA1751B22T3C-55 *	230	50/60	137.0/124.8	3.5/2.9	46.3/44.3	1,850/1,700	40/50	10/11	B	①/②
FA1751B22T5C-55 *	230	50/60	176.6/176.6	6.7/5.3	50.2/50.2	2,400/2,350	70/100	16/19	B	③/④
FA1751B22T7C-55	230	50/60	213.2/253.8	14.2/15.7	52.2/58.1	2,700/3,100	110/120	26/27	B	⑤/⑥
FA1751B22T9C-55	230	50/60	223.3/263.9	16.7/20.3	54.2/60.1	2,800/3,300	100/110	23/26	B	⑦/⑧

- For "Wire Lead" version, change the "T" in the model number to "W".
- If model depicts "*", UL approvals can be implemented upon request.



unit: mm

