

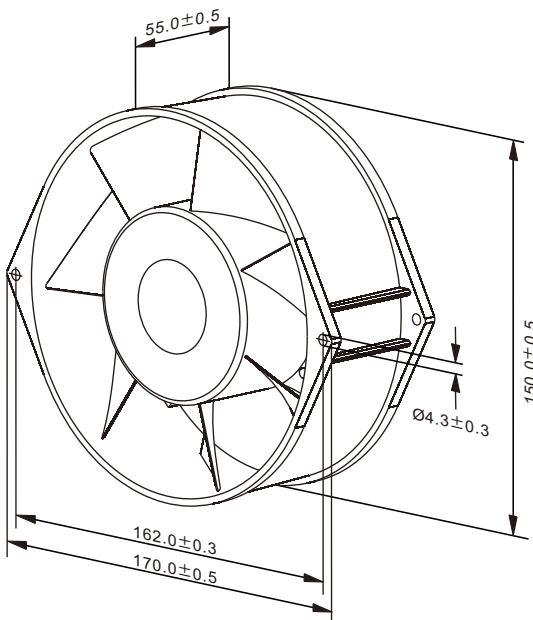
AC AXIAL FAN 170x150x55mm



Housing: Die-Cast Aluminum, Painted Black
Blade: Injection Molded of Flame Retardant Polycarbonate, Black
Insulation Resistance: 100MΩ, 500VDC/min between bare wire and frame
Dielectric Strength: 1500VAC for one minute
Operation Temperature: -20°C-70°C(Humidity 35%-85%RH)
Storage Temperature: -40°C-85°C(Humidity 35%-85%RH)
Motor Protection: Thermally Protected
Weight: 1000 g **Packing:** 20PCS/CTN

Model Number	Voltage (VAC)	Frequency (Hz)	AirFlow (CFM)	Stat.Pres. (mm-H ₂ O)	Noise (dBA)	Speed (RPM)	Current (mA)	Power (W)	Available Bearing	Curves
FA1755B11W7C-51	115	50/60	204.0/235.0	14.7/18.9	57.0/61.0	2,900/3,400	340/380	38/44	B	①/②
FA1755B22W7C-51	230	50/60	202.0/239.0	14.7/18.9	57.0/61.0	2,900/3,400	170/190	37/43	B	①/②

Specifications are subject to change without notice



unit: mm

