

AC AXIAL FAN

Ø 254x89mm



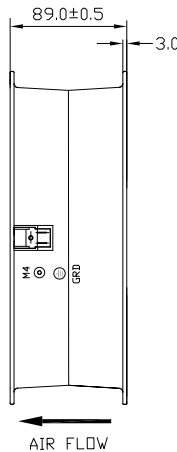
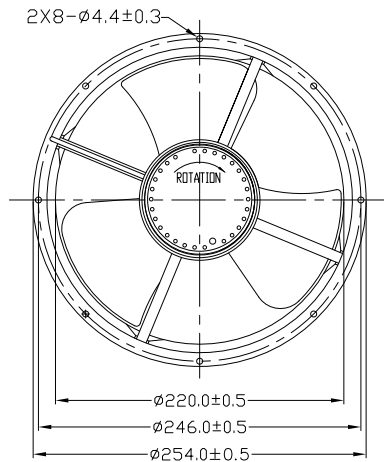
Housing: Die-Cast Aluminum, Painted Black
Blade: Injection Molded of Flame Retardant Polycarbonate, Black
Insulation Resistance: 100MΩ, 500VDC/min between bare wire and frame
Dielectric Strength: 1500VAC for one minute
Operation Temperature: -10°C~70°C(Humidity 35%-85%RH)
Storage Temperature: -40°C~75°C(Humidity 35%-85%RH)
Motor Protection: Thermally Protected
Weight: 2150 g **Packing:** 5PCS/CTN



Model Number	Voltage (VAC)	Frequency (Hz)	AirFlow (CFM)	Stat.Pres. (mm-H ₂ O)	Noise (dBA)	Speed (RPM)	Current (mA)	Power (W)	Available Bearing	Curves
FA2589B11T7C-31 ※	115	50/60	429.3/510.5	9.0/12.1	51.2/54.2	1,400/1,650	160/170	32/32	B	①/②
FA2589B11T9C-31 ※	115	50/60	695.3/649.6	12.4/9.9	59.1/58.1	2,200/2,100	290/350	65/78	B	③/④
FA2589B11T11C-31 ※	115	50/60	791.7/862.8	21.3/17.3	78.8/86.7	2,600/2,800	400/450	87/110	B	⑤/⑥
FA2589B22T7C-31	230	50/60	429.3/510.5	9.0/12.1	51.2/54.2	1,400/1,650	160/170	32/32	B	①/②
FA2589B22T9C-31	230	50/60	695.3/649.6	12.4/9.9	59.1/58.1	2,200/2,100	290/350	65/78	B	③/④
FA2589B22T11C-31	230	50/60	791.7/862.8	21.3/17.3	78.8/86.7	2,600/2,800	400/450	87/110	B	⑤/⑥

- For "Wire Lead" version, change the "T" in the model number to "W".
- If model depicts "※", UL approvals can be implemented upon request.

Specifications are subject to change without notice



unit: mm

