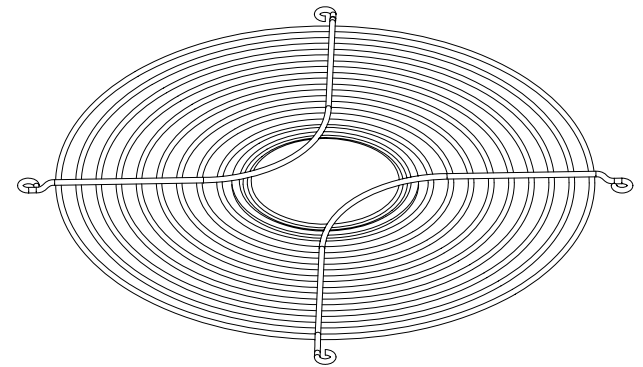
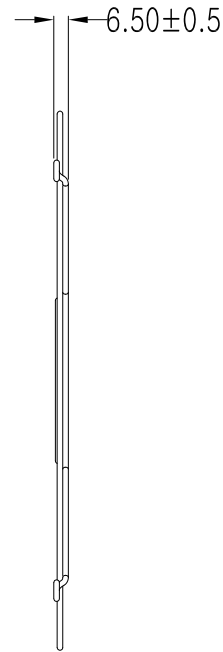
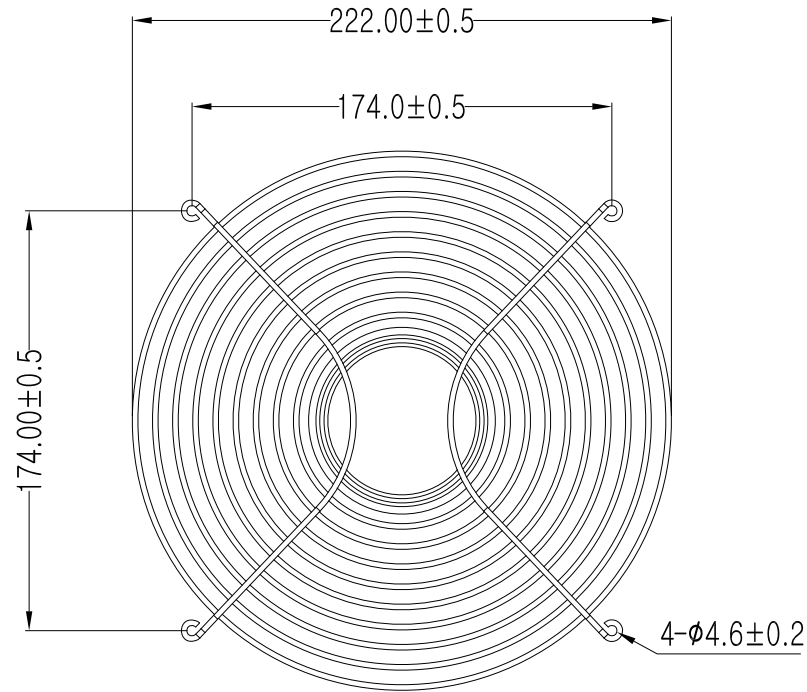


REVISED RECORD				
REV NO.	CONTENT	CHG BY	DATE	APPROVED BY
A0.		Gavin	2014/01/18	



Fits for Fan Size:

Ø254*89mm

Specifications:

*Materials: Bright basic wire.

*Finish: bright nickel chrome plating.

*(1) Rings are $\phi 2.3 \pm 0.1$

*(2) Ribs are $\phi 2.3 \pm 0.1$

*Weld joints to withstand 88 lbs pull force.

*Part meets $\phi 6.35$ mm plug gauge test.

*Product dimension Gen. Tol. : ± 0.05 *		Control Dimensions		x.xxx		For QC Check	
DWG REV	UNLESS OTHERWISE SPECIFIED	TOLERANCES		COOLTRON INDUSTRIAL SUPPLY, INC. COOLTRON®			
	DATE	X.XXX/FL ± 0.127	UNITS				
	2014/01/18	X.XX ± 0.254	MM				
A0	DRAWN	Gavin	DATE	2014/01/18	TITLE:	FGW-250A-2	
A1	CHECKED		DATE		Drawing Number:		
A2	APPROVED		DATE		Process:	SCALE	1:1
A3	THIRD ANGLE		PROJECT		SHT	OF	1 OF 1