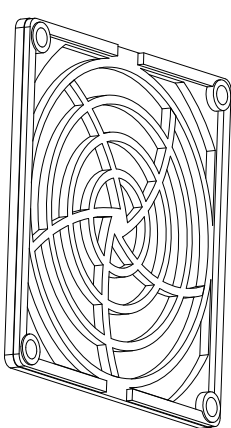
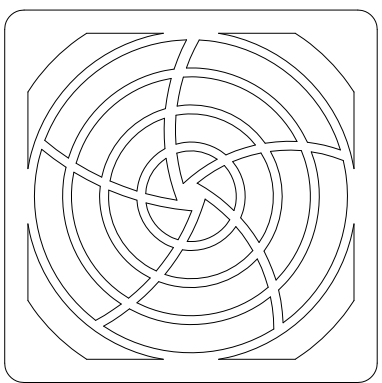
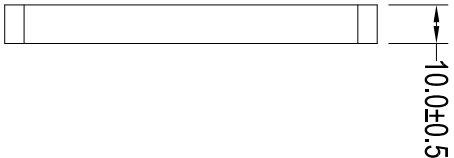
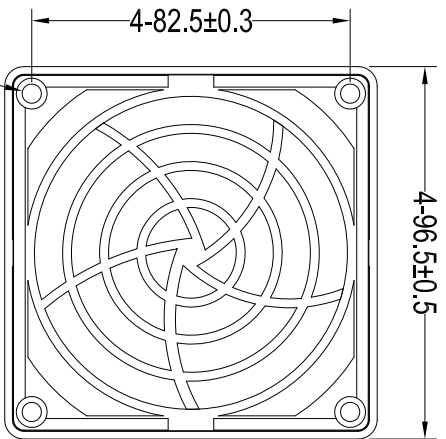
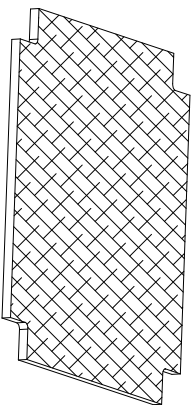


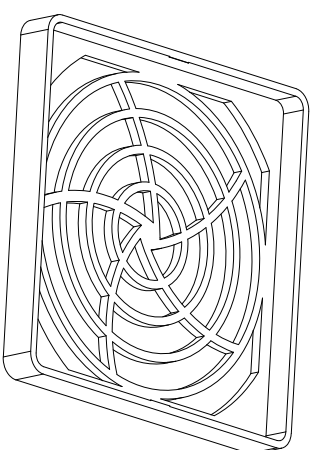
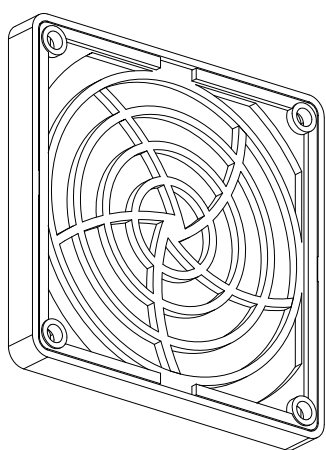
REVISED RECORD			CHG BY	DATE	APPROVED BY
REV. NO.	CONTENT				
1			01/18/2014	Stan	



Guard



Filter



Retainer

Fits for Fan Size:
 90*90*25mm 90*90*32mm 90*90*38mm

Specifications:

- * Retainer & Guard Material : Flame .
- Retardant plastic ABS thermoplastic , rated UL94V0 .
- * Retainer & Guard Color : Standard black .
- * Filter material : Polyurethane (PU) Foam ; Size : 90.0*90.0*3.0mm .
- * Filter Density : 60PPI (pores per inch) .
- * No Burr , Flash , Bruising , Scratches .
- * Product not deformation .

UNLESS OTHERWISE SPECIFIED TOLERANCES	
0 <L ≤ 20	±0.06
20 <L ≤ 50	±0.07
50 <L ≤ 100	±0.10
100 <L ≤ 150	±0.15
100 <L	±0.20

DRAWN		DATE	TITLE
Stan		01/18/2014	FPF-090A-60
CHECKED		DATE	Drawing Number
APPROVED		DATE	Process:
THIRD ANGLE		PROJECT	SCALE 1:1
			SHT 1 OF 1

COOLTRON INDUSTRIAL SUPPLY, INC.



FPF-090A-60