

**Standards and Specifications**  
of  
**Model: FD4010B05W3-73-2NSC1**  
(mounting hold diameter 4.2mm)

**A. General Specification**

Item	Specification / Standard / Condition	
Outline Dimension	40 mm x 40 mm x 10 mm	
Bearing	Dual Ball Bearing	
Rated Voltage	DC 5 V	
Operating Voltage	DC 4.0 V ~ DC 5.5 V	
Starting Voltage	DC 4.0 V	1. Rated Voltage 2. 25°C, 65% RH
Rated Current	0.08 A	
Power Consumption	0.40 W	
Speed	4,200 R.P.M.	1. Free Air 2. Rated Voltage 3. 25°C, 65% RH 4. Tolerance: ± 10%
Maximum Airflow	4.60 CFM	1. Rated Voltage 2. AMCA Standard 3. Rated Current
Maximum Static Pressure	2.40 mm-H <sub>2</sub> O	
Noise Level	20.50 dB (A)	1. Rated Voltage 2. Measured in a Non-Echo Chamber 3. CNS 8753 Standard 4. ISO 3744 Test Condition
Life	70,000 hrs	25 °C, L10 at Conf. Level 90%,Rated Voltage
Net Weight	17 g	
Number of Blade	7 Blades	
Number of Pole	4 Poles	
Rotating Direction	Counter-Clockwise	
Plastic Material: Blade, Housing, Bobbin	1. UL 94V-0 2. P.B.T. + 30% GF Black	
Lead Wire	UL 1007, 26AWG	Red: (+) Black: (-)
Connector	2510-2P connector 2.54mm ( equivalent connector of Molex housing#22-01-3027 & terminal# 0008500113	

**B. Electrical Specification**

Item	Specification / Condition
Locked Rotor Protection	No damage done for a continuous 72 hours rotation lock at rated voltage.
Polarity Protection	Circuit is protected when V <sub>CC</sub> & GND are exchanged.
Insulation Resistance	10 m. Ohm / between unshielded wire and frame at 500 VDC/min.
Dielectric Strength	5 mA Maximum. / Measured between lead wire + and frame at 500 VAC/min.

**C. Environmental Specification**

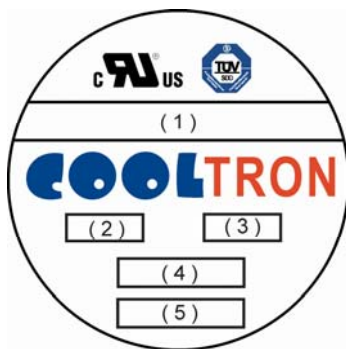
Item	Specification / Condition
Operating Condition	Temperature: -10°C ~ + 70°C Humidity: 35% ~ 85% RH
Storage Temperature	Temperature: -40°C ~ + 70°C Humidity: 35% ~ 85% RH
Humidity	Per MIL-STD-202F Method 103B Life: 96 hours Temperature: +40 ± 2°C
Thermal Shock	Per MIL-STD-202F Method 107D, Condition D
Packing Vibration Test	Packing condition: X, Y, Z 3 directions, 1.1G load vibration test for 30 min.
Packing Shock Proof Test	1 corner, 3 edges, 6 faces natural drop from 60cm high, packed



**D. Safety Approvals**

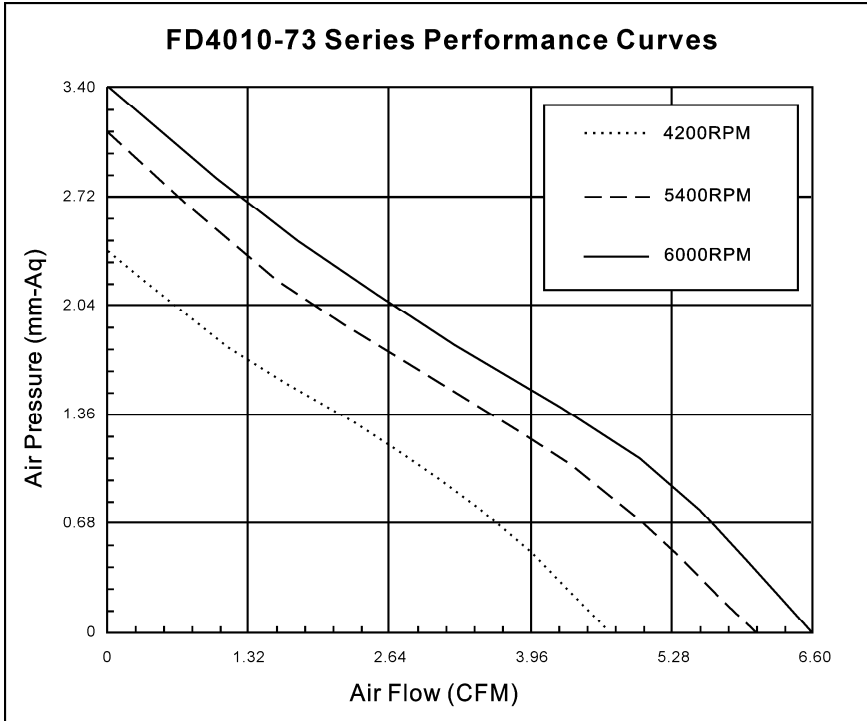
Safety Approval	File No.
UL	E194726
CUL	E194726
TUV	R50048194

**E. Label Marking**

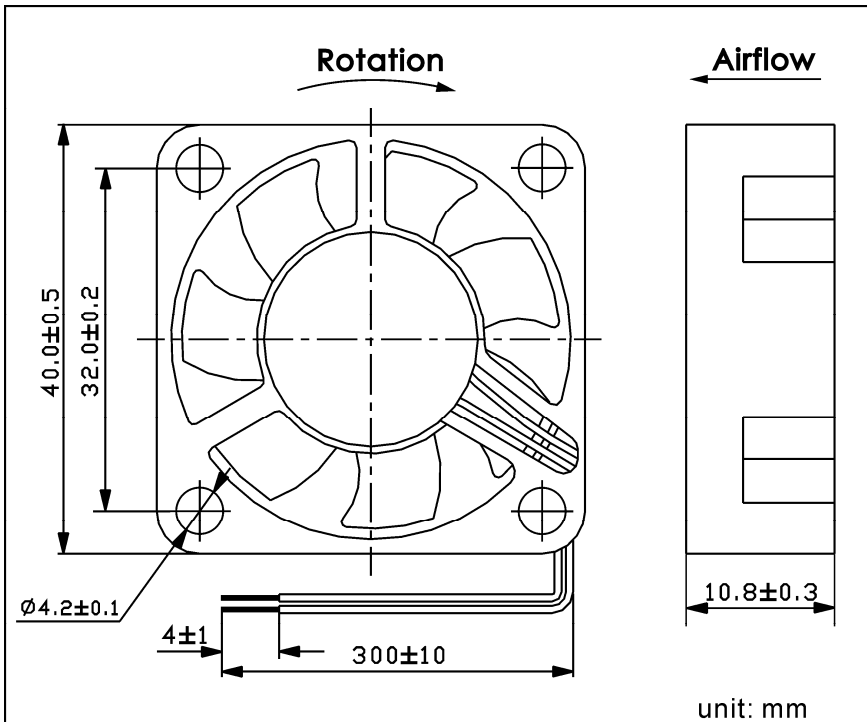


(1)	Model Number
(2)	Rated Voltage
(3)	Power Consumption
(4)	Bearing Type
(5)	Location

**F. Air Flow Performance Curve**

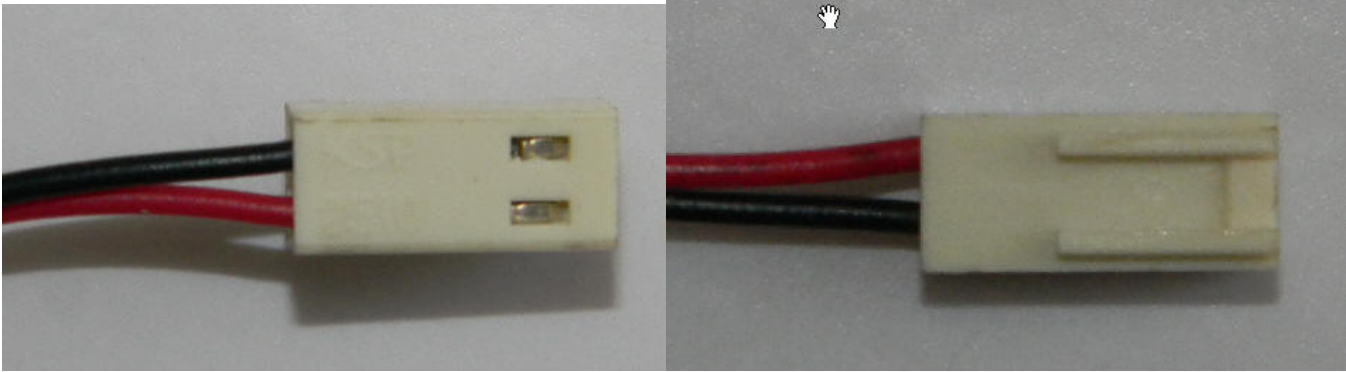


**G. Model Drawing**

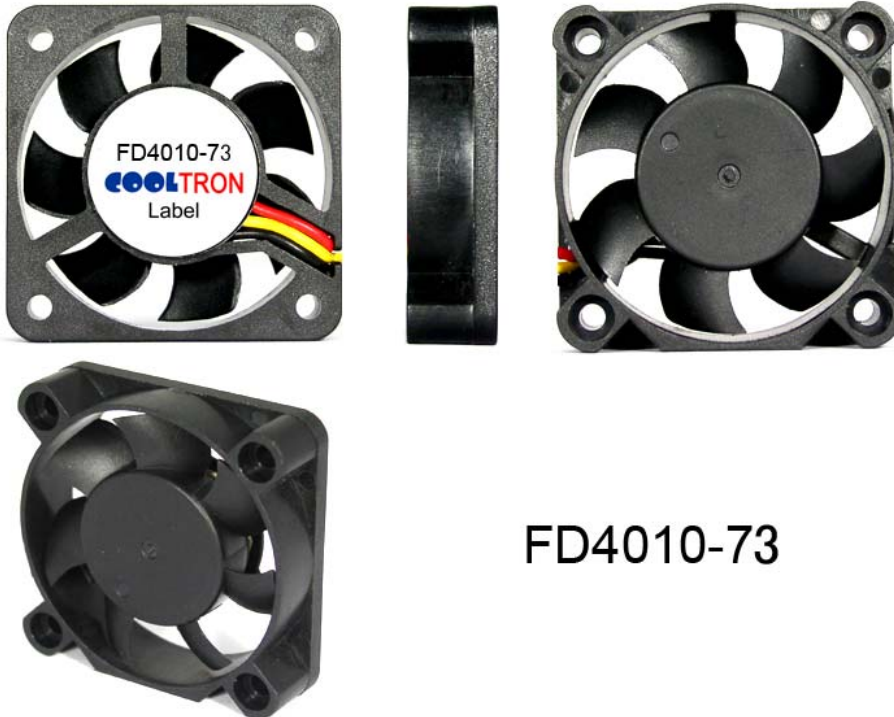


With 2510-2P connector 2.54mm  
( equivalent connector of Molex housing#22-01-3027 & terminal# 0008500113)

Wire position as follows: ( Pin 1 --Black; Pin 2 --Red)



#### H. Fan Photos



FD4010-73